

Ceiling floor type fan coil unit



Characteristic

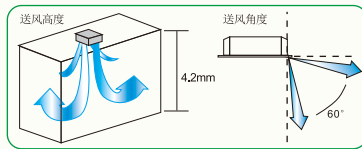
- 1、 Classical elegant design
- 2、 Can be installed by ceiling mounted, floor standing or wall mounted



- 3、 Remote controller is standard and wire controller is optional



- 4、 Wide air flowing range



- 5、 Auto swing
- 6、 Quiet running



- 7、 Stainless steel hose can be installed as inlet/outlet water connection(optional)

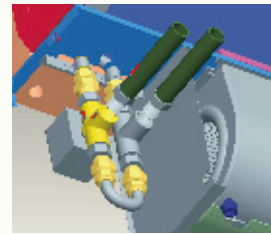


- 8、 Easily interfaced with most widely used BMS and proprietary supervisory system based on mod Bus protocol.



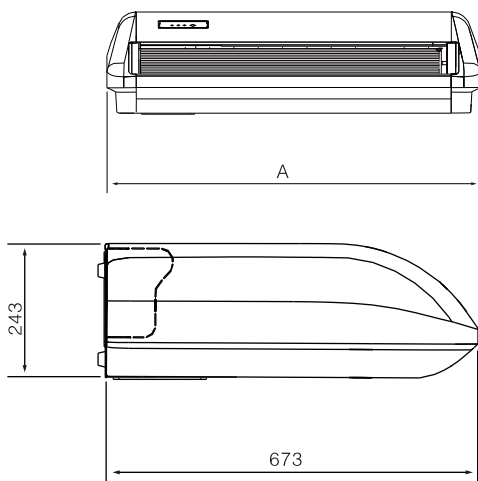
- 9、 Water valve can be installed inside the unit(optional).

Water valve is used to control the on/off water flowing to the unit, we installed the valve into the unit, so the user do not need to installed it by themself.

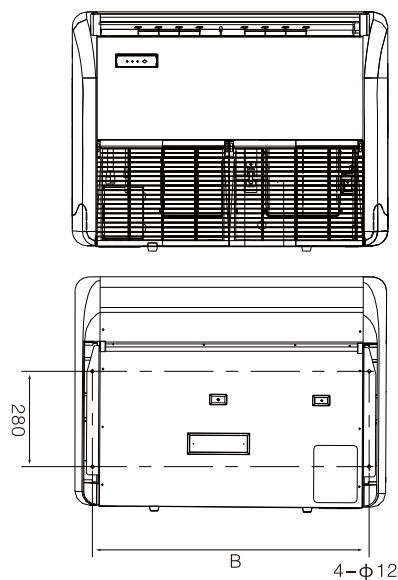


- 10、 4-tube system is optional

Installing dimension



Connect pipe site



Unit: mm

Model	FP-51 / 68 / 85/ZDM	FP-102 / 136/ZDM	FP-170 / 204 / 238/ZDM
A	905	1288	1672
B	801	1184	1568

Performance

Ceiling&floor type FCU(2-tube system)

Model(2-tube system)			MFP-51ZDM	MFP-68ZDM	MFP-85ZDM	MFP-102ZDM	MFP-136ZDM	MFP-170ZDM	MFP-204ZDM	MFP-238ZDM	
Power supply			220V,50Hz,1Ph								
Air volume	H	m ³ /h	510	680	850	1020	1360	1700	2040	2380	
	M		380	515	660	765	1040	1280	1550	1800	
	L		260	340	430	530	710	860	1050	1280	
Static pressure		Pa	0	0	0	0	0	0	0	0	
Cooling capacity	TH	H	W	2700	3600	4500	5400	7200	9000	10800	12600
			BTU/h	9212	12283	15354	18425	24566	30708	36850	42991
	SH	H	W	1990	2730	3174	4261	5385	6746	8109	9062
			BTU/h	6790	9315	10830	14539	18374	23017	27668	30920
	TH	M	W	2485	3030	3752	4467	6499	7926	9389	10605
			BTU/h	1571	2015	2450	3071	4278	5447	6669	7262
SH	L	W	2078	2504	2950	3831	5660	7295	8619	8989	
		BTU/h	1212	1545	1844	2397	3317	4460	5300	5555	
Heating capacity	H	W	4050	5400	6750	8100	10800	13500	16200	18900	
	M		2792	3970	4941	5740	7987	10557	13101	14011	
	L		1788	2801	3533	3907	5464	7048	8714	9778	
Noise	High speed	dB(A)	39	41	43	45	46	48	50	51	
Power input	High speed	W	52	62	76	96	134	152	189	228	
Waterflow volume	High speed	m ³ /h	0.46	0.62	0.77	0.93	1.23	1.54	1.85	2.16	
Pressure dropping		kPa	11.8	13.6	21	23	25	32	33	38	
Water tube connection(inlet)			ZG3/4"	ZG3/4"	ZG3/4"	ZG3/4"	ZG3/4"	ZG3/4"	ZG3/4"	ZG3/4"	
Water tube connection(outlet)			ZG3/4"	ZG3/4"	ZG3/4"	ZG3/4"	ZG3/4"	ZG3/4"	ZG3/4"	ZG3/4"	
Coil		Type	Hydrophilic aluminum fin to wear copper tube								
Maximum working pressure		MPa	1.6	1.6	1.6	1.6	1.6	1.6	1.6	1.6	
Condensation pipe size (diameter)		mm	ϕ 26	ϕ 26	ϕ 26	ϕ 26	ϕ 26	ϕ 26	ϕ 26	ϕ 26	
Net dimension		LxWxH	905 × 673 × 243			1288 × 673 × 243			1672 × 673 × 243		
Net weight		kg	26	28	30	38	40	42	45	45	