

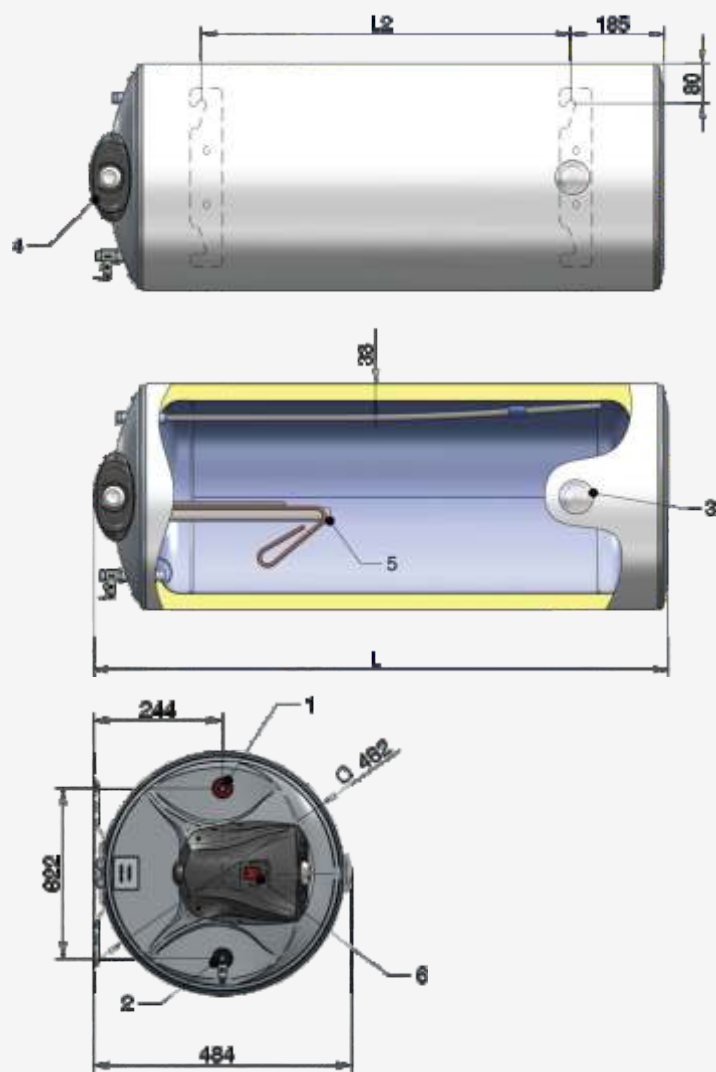
Model: **WH08046R**

Water heaters type:	storage water heaters
Installation:	wall mounted, horizontal
Capacity (liters):	80, 100, 120, 150, 200
Water tank:	enameled

The water heaters **ELDOM Favourite** for horizontal wall mounting have all of the advantages of the water heaters for vertical mounting but are designed with a special structure in order for them to meet the specific customers' requirements for location of the water heater in the sanitary premises.

## DESCRIPTION

- **ENERGY SAVING** - the dense 33 mm thick Closed-Cell HFO heat insulation saves costs by ensuring minimum heat losses.
- **LONG LIFE:**  
**SHIELD technology**  
**Reliable anti-corrosion protection** - Cathodic system with two magnesium anodes with increased mass
- **SECURITY** - with unique "6-level protection":  
**Special elliptic flange** - patented technology;  
**External capillary** thermostat and capillary thermal cut out;  
**Combined metal safety valve;**
- **Anti-freeze protection;**
- **Electrical tubular heating element** - designed and manufactured by ELDOMINVEST using latest generation technology;
- **Illuminated waterproof switch;**
- **Temperature indicator;**



## ⚙️ SPECIFICATIONS

### Parameters

Model	...	WH08046L(R)	WH10046L(R)	WH12046L(R)	72280XB	72281XB
Volume range		80	100	120	150	200
Energy efficiency class		C	C	C	C	C
Annual electricity consumption	kWh	1407	1358	1348	2744	2718
Thermostat temperature presetting	°C	60	60	60	60	60
Mixed water at 40°C	kg	105	109	137	230	230
Rated pressure	Mpa	0.7	0.7	0.7	0.7	0.7
Rated voltage	V~	230	230	230	158	210
Rated electrical power	kW	2 (3)	2 (3)	2 (3)	3	3
Gross weight	kg	26.7	31	35.8	51	61.5

### Connections

1: Hot water outlet		G 1/2"M	G 1/2"M	G 1/2"M	G 1/2"M	G 1/2"M
2: Cold water inle-Drain		G 1/2"M	G 1/2"M	G 1/2"M	G 1/2"M	G 1/2"M
3: Temperature indicator		yes	yes	yes	yes	yes
4: Control panel		yes	yes	yes	yes	yes
5: Flange with a heating element		yes	yes	yes	yes	yes
6: Illuminated switch		yes	yes	yes	yes	yes

### Dimensions

L	mm	835	1005	1170	1015	1255
C	mm	185	185	185	190	190
D	mm	462	462	462	586	586
M	mm	484	484	484	595	595
G	mm	33	33	33	43	43
L2	mm	415	587	753	560	780

\*Regulation EU 814/2013, EU 812/2013

The largest water heaters from our ELDOM Favorite series (150 and 200 liters) are offered in different design. See page 10-11 of the catalog.

