

Kamen WG AGRO

Central heating boiler for non-wood biomass



Large combustion chamber



Large charging door



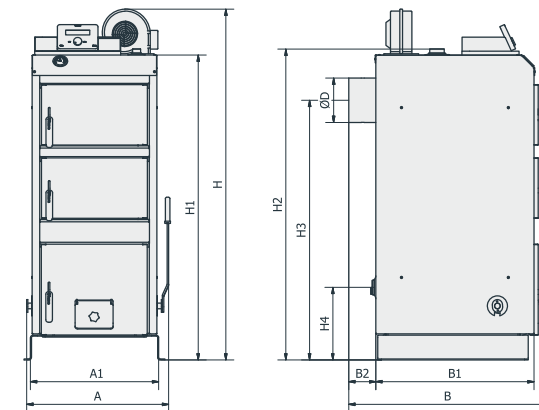
Adapted for mounting a blower kit



Durable water grate



Mechanical ash removal from the furnace



4

4-year warranty

6

Certified boiler steel



High efficiency



Adapted for the installation of a draft regulator



Energy-saving boiler



Chimney draft regulation



Adjustable feet

POWER RANGE

10 - 40 kW

BASIC EQUIPMENT

- Cleaning kit
- Adjustable feet
- Built-in air duct for retrofitting a fan with a controller
- Movable grate (up to 40 kW)

FUEL



Non-wood biomass in the form of briquettes made of straw, hay, miscanthus

ADDITIONAL EQUIPMENT (extra charge)

- Cooling coil
- Draft regulator

ADDITIONAL OPTIONS

- The door opening to the left side
- Flue directed upwards

WARRANTY

- 4 years for tightness of the heat exchanger

Technical DATA

Parameter

Unit

Kamen WG Premium AGRO

Parameter	Unit	10 kW	13 kW	17 kW	22 kW	28 kW	34 kW	40 kW	50 kW
Rated thermal power	kW	10	13	17	22	28	34	40	50
Heating surface Heating surface	m ²	1.2	1.5	1.8	2.2	2.8	3.6	4.0	5.0
Maximum width (A)	mm	495	495	550	550	600	670	740	690
Boiler casing width (A1)	mm	435	435	490	490	540	610	680	690
Maximum length (B)	mm	780	780	780	830	830	880	930	1060
Boiler casing length with door (B1)	mm	605	605	605	655	655	705	710	840
Flue length (B2)	mm	105	105	105	105	105	105	140	140
Maximum height (H) *	mm	1310	1380	1380	1460	1460	1460	1570	1680
Boiler height (H1) *	mm	1130	1200	1200	1280	1280	1280	1385	1500
Height of the water supply (H2) *	mm	1150	1220	1220	1300	1300	1300	1405	1530
Height to the axis of the flue (H3)	mm	945	1015	1015	1095	1095	1095	1195	1290
Flue diameter (ØD)	Ømm	Ø159	Ø159	Ø178	Ø178	Ø178	Ø178	Ø194	Ø228
Water return height (H4) *	mm	290	290	290	290	290	290	365	355
Width of the combustion chamber	mm	263	263	318	318	368	438	495	475
Depth of the combustion chamber	mm	400	400	400	450	450	500	500	600
Height of the combustion chamber	mm	280	350	350	430	430	430	430	480
Frame of the charging door	cm x cm	27,5x21	27,5x21	33x21	33x21	38x21	45x21	45x25	45x25
Combustion chamber capacity	l	29	36	44	61	71	94	105	135
Boiler weight	kg	245	260	280	315	345	410	440	520
Water capacity	l	55	62	70	85	95	115	124	148
Thermal efficiency	%	~82 - 84							
Maximum working pressure	bar	1.8							
Supply water temperature (min - max)	°C	55 - 90							
Supply and return diameter	cal	G 6/4						G 2	
Electric supply	V/Hz	~230 / 50							
The required exhaust draft	Pa	20	20	22	26	28	30	32	32
The minimum height of the chimney	m	6	6	7	8	8	9	10	10
The minimum cross-section of the chimney	Ømm cm x cm	Ø170 15 x 15	Ø190 17 x 17	Ø200 18 x 18	Ø220 20 x 20	Ø220 20 x 20	Ø250 22 x 22	Ø280 25 x 25	Ø280 25 x 25
Area of heated rooms**	m ²	80-100	100-130	130-170	170-220	220-280	280-340	340-400	400-500
Area of heated rooms (well-insulated houses)***	m ²	105-130	130-170	170-225	225-290	290-370	370-450	450-530	530-665

* when using the adjustable feet, the height increases by 24 to 32 mm

** maximum area of heated rooms assumed for the building's heat demand q = 100 W/m²

*** maximum area of heated rooms assumed for the building's heat demand q = 75 W/m²