

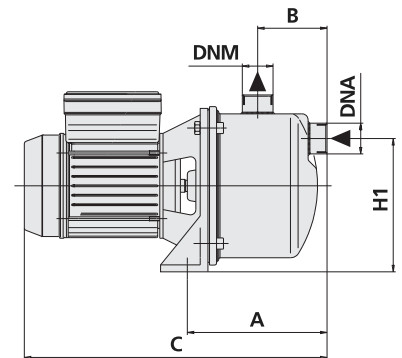
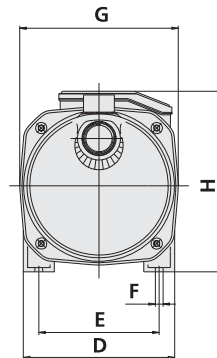


CAM 80-85-88

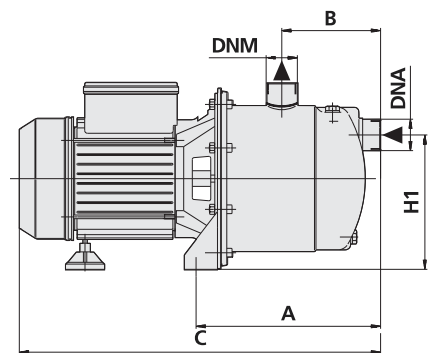
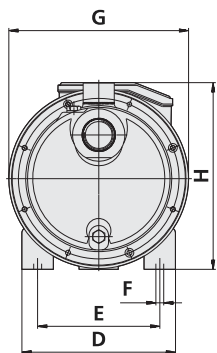
CAM 95-98-198



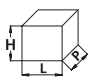
CAM 80-85-88



CAM 95-98-198



DIMENSIONS AND WEIGHTS

TYPE		DIMENSIONS mm											DIMENSIONS mm 			Weight
Single-phase	Three-phase	A	B	C	D	E	F	G	H	H1	DNA	DNM	P	L	H	Kg
CAM 80	CA 80	163	72	320	162	126	9	166	180	123	1"	1"	180	360	200	7
CAM 85	CA 85	163	81	343	176	140	9	184	200	149	1"	1"	190	420	230	8,5
CAM 88	CA 88	163	81	370	176	140	9	184	200	149	1"	1"	190	420	230	11
CAM 95	CA 95	210	113	415	176	140	9	206	212	154	1"	1"	210	450	240	12
CAM 98	CA 98	210	113	415	176	140	9	206	212	154	1"	1"	210	450	240	12,5
CAM 198	CA 198	210	113	432	176	140	9	206	230	154	1 1/4"	1"	210	480	250	15,5

APPLICATION

Automatic high pressure groups coupled with selfpriming jet pumps.

They are very silent and reliable and particularly suitable to increase pressure from a water system, to supply water from wells and in domestic high pressure groups.

OPERATING CONDITIONS

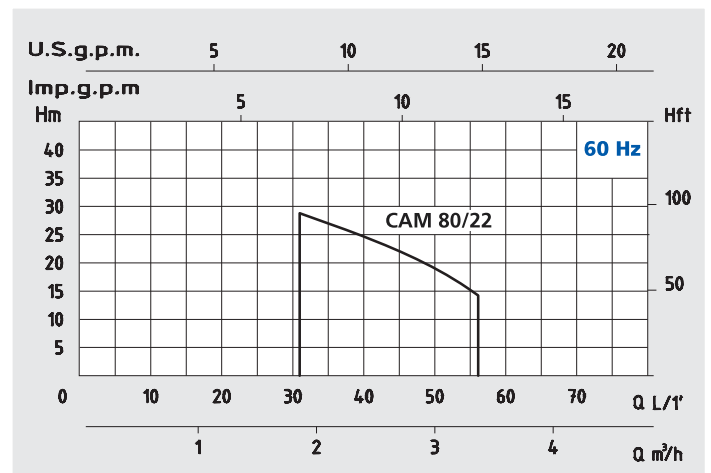
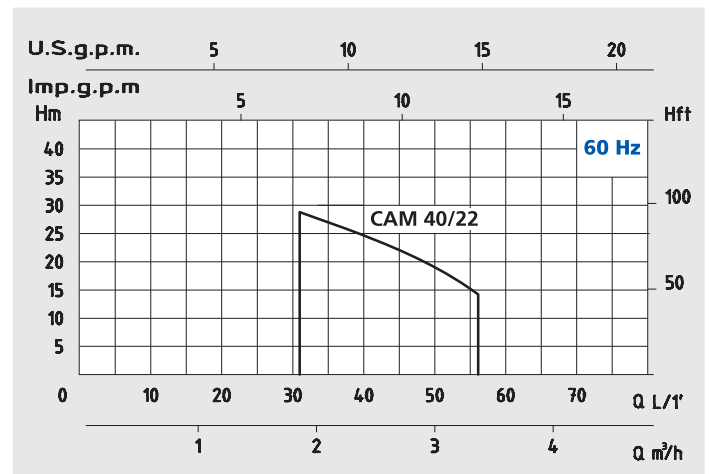
- Liquid temperature up to 35°C
- Ambient temperature up to 40°C
- Total suction lift up to 8 mt.
- Continuous duty

MOTOR

- Two-Pole induction motor ($n = 3450 \text{ min}^{-1}$)
- Insulation Class F
- Protection IP 44

COMPONENTS

- Membrane tank
- Flexible hose with connection
- Adjusted switch on/off pressure 1,4÷2,8 bar with cable
- Pressure gauge
- Brass connection



TECHNICAL DATA

TYPE	NOMINAL POWER		INPUT POWER	AMPERE	Adjusted switch on/off pressure	Q = CAPACITY										
	P2	P1				m³/h	0,6	0,9	1,2	1,5	1,8	2,1	2,4	2,7	3	3,6
Single-phase				Single-phase		lt/1'	10	15	20	25	30	35	40	45	50	60
220V-60Hz	HP	kW	kW	1 x 220V-60Hz	Bar	Total head in meters w.c.										
CAM 40/22	0,8	0,6	0,8	3,8	1,4 ÷ 2,8	H (m)	38	36	34	32	29	27	25	22	19	
CAM 80/22	0,8	0,6	0,8	3,8	1,4 ÷ 2,8	H (m)	38	36	34	32	29	27	25	22	19	