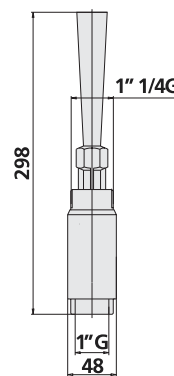
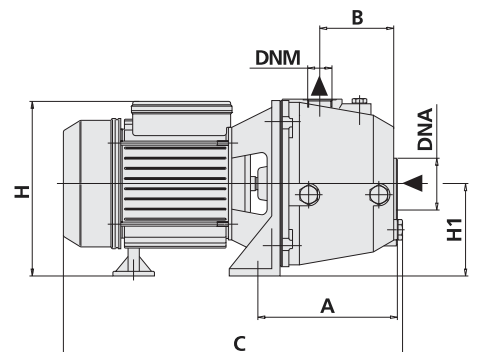
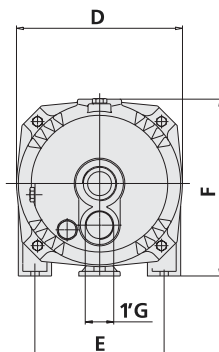
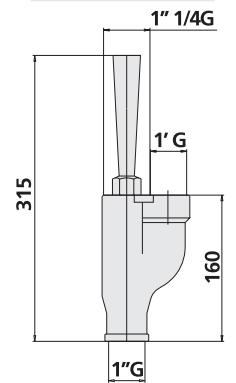




**EJECTOR 2"**



**EJECTOR 4"**



**DIMENSIONS AND WEIGHTS**

TYPE		DIMENSIONS mm										DIMENSIONS mm			Weight
Single-phase	Three-phase	A	B	C	D	E	F	H	H1	DNA	DNM	P	L	H	Kg
APM 75	AP 75	168	82	360	180	140	195	185	97	1" 1/4	1"	430	190	205	16,7
APM 100	AP 100	168	82	360	180	140	195	185	97	1" 1/4	1"	430	190	205	18

## APPLICATION

Selfpriming water pumps for deep suction up to mt. 50 to be used in case of important water level gaps. Suitable to drain water from wells and in domestic fittings by small and medium sized tanks. Before installing the pump verify that all pipes (iron, plastic or rubber) are clean inside so to avoid any obstruction to the ejector nozzle. At the foot of the ejector must be installed a foot valve or a check valve. Installed the pump, fill completely both pipes and pump body with clean water. To preserve an efficient priming it is necessary a certain pression in the circuit, therefore it is recommended to install a membrane tank at th e delivery of the pump.

## OPERATING CONDITIONS

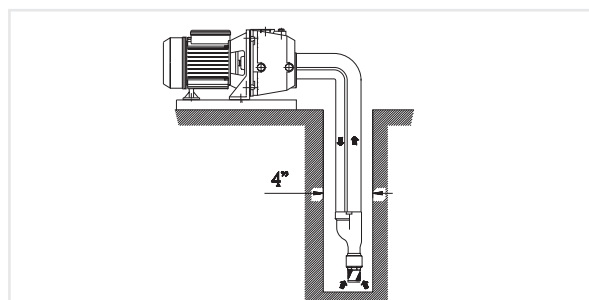
- Liquid temperature up to 35°C
- Ambient temperature up to 40°C
- Total suction lift up to 50 mt.
- Continuous duty

## MOTOR

- Two-Pole induction motor (n = 3450 min<sup>-1</sup>)
- Insulation Class F
- Protection IP 44

## MATERIALS

- Pump body Cast Iron
- Motor support Cast Iron
- Impeller Noryl
- Diffuser Noryl
- Ejector Cast Iron
- Shaft with rotor Stainless Steel
- Mechanical seal Ceramic/Graphite



The separate ejector pump is basically a centrifuge with the possibility of becoming a self-priming jet pump with deep suction by fitting the ejector in the well onto the end of the suction pipe. Recirculation of water passing through the Venturi attracts water from below and pushes it through the return (suction) pipe creating enough pressure to take it up to the surface. For these deep suction applications two pipes need to be connected: the delivery pipe to the ejector and the return (suction) outlet, in this case the diameter of the well must be at least 4".

## TECHNICAL DATA

TYPE		NOMINAL POWER		INPUT POWER	AMPERE			Q = CAPACITY															
Single-phase	Three-phase	P2		P1	Single phase	Three phase	Ejector	Suction depth m.	m <sup>3</sup> /h	0,18	0,36	0,6	0,9	1,2	1,5	1,8	2,1	3	3,6				
		HP	kW	kW					1 x 220V 60Hz	3 x 380V 60Hz	lt/1'	3	6	10	15	20	25	30	35	50	60		
220V-60Hz	220/380V-60Hz								Total head in meters w.c.														
APM 150	AP 150	1,5	1,1	1,5	7	3	P 20	15							42	35	25	21					
								20						50	37	30	21						
								25						45	34	27							
								35					49	41	20								
								40					48	40									
APM 200	AP 200	2	1,5	2	9,3	4,2	P 30	50															
APM 200	AP 200	2	1,5	2	9,3	4,2	P 20	15								46	35	30					
								20							48	43	32	27					
								25									50	44	40	28	23		
								35											28	20			
								40										46	30				
APM 200	AP 200	2	1,5	2	9,3	4,2	P 30	50															