

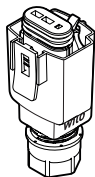
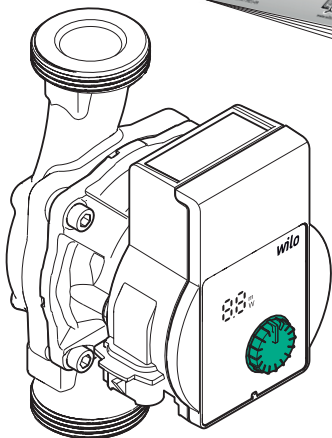
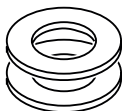
## Wilo-Yonos PICO1.0



**en** Installation and operating instructions  
**es** Instrucciones de instalación y funcionamiento  
**it** Istruzioni di montaggio, uso e manutenzione  
**pt** Manual de Instalação e funcionamento  
**tr** Montaj ve kullanma kılavuzu  
**el** Οδηγίες εγκατάστασης και λειτουργίας  
**hu** Beépítési és üzemeltetési utasítás  
**pl** Instrukcja montażu i obsługi  
**cs** Návod k montáži a obsluze  
**ru** Инструкция по монтажу и эксплуатации

**et** Paigaldus- ja kasutusjuhend  
**lv** Uzstādīšanas un ekspluatācijas instrukcija  
**lt** Montavimo ir naudojimo instrukcija  
**sk** Návod na montáž a obsluhu  
**sl** Navodila za vgradnjo in obratovanje  
**hr** Upute za ugradnju i uporabu  
**sr** Uputstvo za ugradnju i upotrebu  
**ro** Instrucțiuni de montaj și exploatare  
**bg** Инструкция за монтаж и експлоатация  
**uk** Інструкція з монтажу та експлуатації





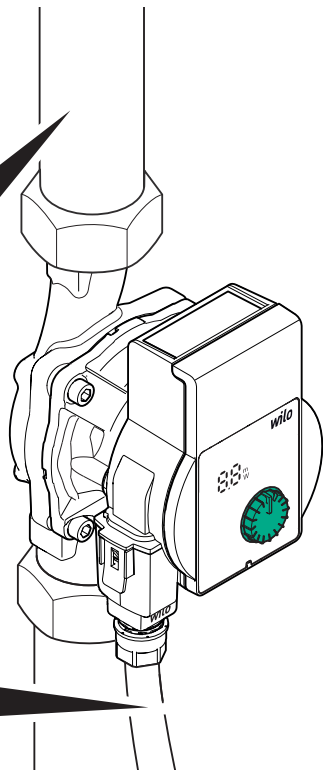


	$-10\text{ °C} \leq T \leq 95\text{ °C}$ $\varnothing P \leq 10\text{ bar}$
	$\varnothing p_{in} (95\text{ °C}) \geq 0,3\text{ bar}$ $\varnothing p_{in} (110\text{ °C}) \geq 1\text{ bar}$
	+ 0 % – 50 %

	$-10\text{ °C} \leq T \leq +40\text{ °C}$
--	---

	$1\sim 230\text{ V} \pm 10\%$ , $50/60\text{ Hz}$
--	--

ON/OFF	$\leq 100/24\text{ h}$ $\leq 20/h - 1\text{ min}$
--------	--



### 3.1 Overview

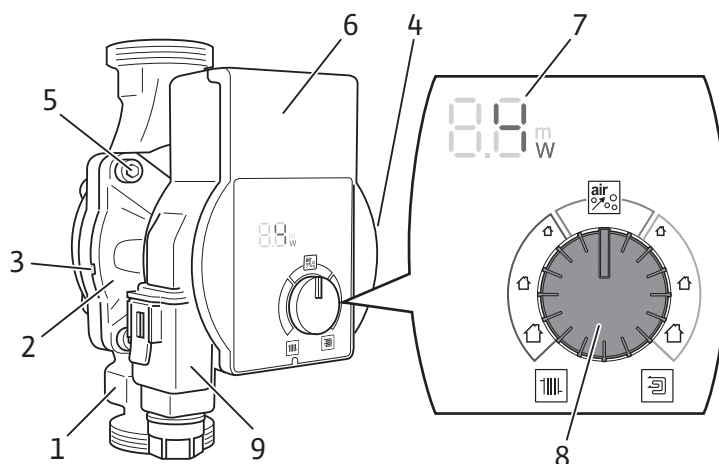
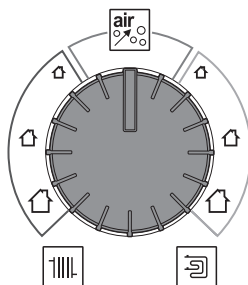


Fig. 1: Wilo-Yonos PICO1.0

Pos.	Name	Explanation
1.	Pump housing	with screwed connections
2.	Glandless motor	Drive unit
3.	Condensate drain openings	4x around circumference
4.	Rating plate	
5.	Housing screws	4 pieces for motor fixation
6.	Control module	Electronic unit with LED display
7.	LED display	Display of operating statuses
8.	Operating button	Settings of all parameters
9.	Wilo-Connector	Electrical mains connection

### 3.2 Operating and display elements

#### Operating button



Turn:

- Select application/control mode.
- Set setpoint H of the delivery head (differential pressure).
- Select venting function.

#### LED display



Display of the current power consumption in W.



Display of the setpoint H of the delivery head (differential pressure) in m.



Display of warning and fault signals.



Display with the venting function activated.

### 3.3 Type key

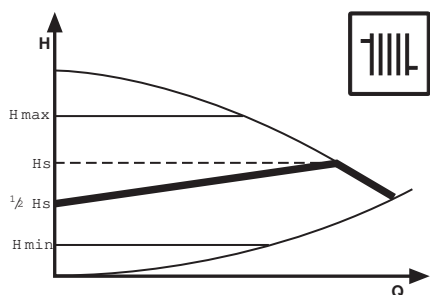
#### Example: Yonos PICO1.0 25/1-6 130

Yonos PICO1.0	High-efficiency pump
25	Nominal diameter of screwed connection: 15 (G 1), 25 (G 1½), 30 (G 2)
1-6	1 = minimum delivery head in m (adjustable down to 0.5 m) 6 = maximum delivery head in m at $Q = 0 \text{ m}^3/\text{h}$
130	Installation length: 130 = 130 mm --- = 180 mm

### 3.4 Technical data

Connection voltage	1 ~ 230 V $\pm$ 10 %, 50/60 Hz
Protection class IP	See rating plate (4)
Energy efficiency index EEI	See rating plate (4)
Fluid temperatures at max. ambient temperature +40 °C	-10 °C to +95 °C
Permitted ambient temperature	-10 °C to +40 °C
Max. operating pressure	10 bar (1000 kPa)
Minimum inlet pressure at +95 °C/ +110 °C	0.3 bar/1.0 bar (30 kPa/100 kPa)

### 3.5 Applications/control mode and functions



#### Radiator heating system

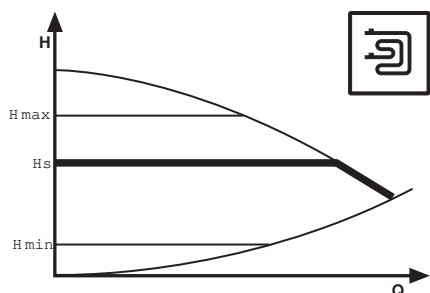
Recommended for two-pipe heating systems with radiators to reduce the flow noise at thermostatic valves.

**Variable differential pressure ( $\Delta p-v$ ):** The pump reduces the delivery head to half in the case of decreasing volume flow in the pipe network. Electrical energy saving by adjusting the delivery head to the volume flow requirement and lower flow rates.



#### NOTICE

Factory setting:  $\Delta p-v$ ,  $\frac{1}{2} H_{max}$



#### Underfloor heating

Recommended for underfloor heating. Or for large-sized pipes, all applications without a variable pipe network curve (e.g. storage charge pumps) or single-pipe heating systems with radiators.

**Constant differential pressure ( $\Delta p-c$ ):** The control keeps the set delivery head constant irrespective of the pumped volume flow.



#### Pump venting function

The venting function is activated via the operating button and automatically vents the pump for a period of 10 minutes.

However, this function does not vent the heating system.