

DT4-B 50 INT II  
DT4-B 65 INT II  
DT4-B 80 INT II

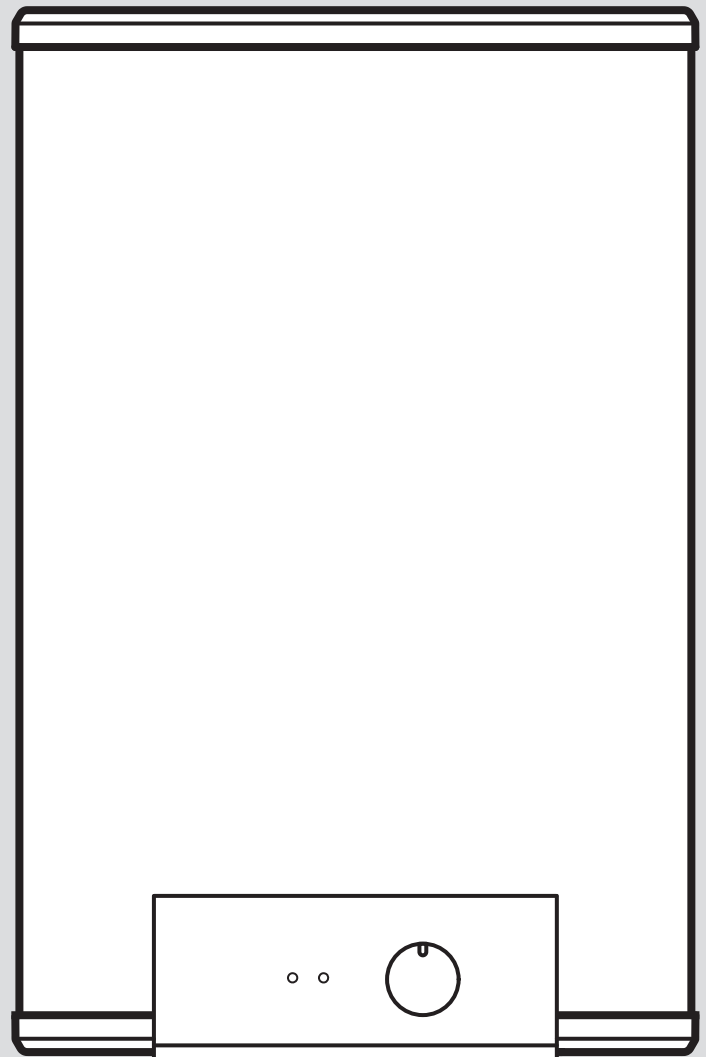
**en** Installation and maintenance instructions

**ar** دليل التركيب والصيانة

**ka** საინსტალაციო და ტექნიკური  
ინსტრუქციები

**ro** Instrucțiuni de instalare și întreținere

**uk** Посібник зі встановлення та технічного  
обслуговування



|    |  |    |
|----|--|----|
| en | Installation and maintenance instructions.....                 | 3  |
| ar | دليل التركيب والصيانة.....                                     | 14 |
| ka | საინსტალაციო და ტექნიკური<br>ინსტრუქციები .....                | 23 |
| ro | Instrucțiuni de instalare și întreținere .....                 | 34 |
| uk | Посібник зі встановлення та технічного<br>обслуговування ..... | 45 |

# Installation and maintenance instructions

## Contents

|                       |   |           |
|-----------------------|---|-----------|
| <b>1</b>              | <b>Safety</b> .....   | <b>4</b>  |
| 1.1                   | Action-related warnings .....   | 4         |
| 1.2                   | Intended use .....  | 4         |
| 1.3                   | General safety information .....  | 4         |
| 1.4                   | Regulations (directives, laws, standards) .....                         | 6         |
| <b>2</b>              | <b>Notes on the documentation</b> .....                                 | <b>7</b>  |
| 2.1                   | Observing other applicable documents .....                              | 7         |
| 2.2                   | Storing documents .....   | 7         |
| 2.3                   | Validity of the instructions .....                                      | 7         |
| <b>3</b>              | <b>Product overview</b> .....   | <b>7</b>  |
| 3.1                   | Product designation .....   | 7         |
| 3.2                   | Identification plate .....  | 7         |
| 3.3                   | CE marking .....  | 7         |
| 3.4                   | Design .....  | 7         |
| 3.5                   | Regulations on packaging, transportation and storage .....              | 7         |
| 3.6                   | Duration of storage .....   | 7         |
| 3.7                   | Service life .....  | 7         |
| <b>4</b>              | <b>Set-up</b> .....   | <b>7</b>  |
| 4.1                   | Checking the scope of delivery .....                                    | 7         |
| 4.2                   | Requirements for the installation site .....                            | 8         |
| 4.3                   | Requirements for electrical installation at the installation site ..... | 8         |
| 4.4                   | Observing the minimum clearances .....                                  | 8         |
| 4.5                   | Installing the product .....  | 8         |
| 4.6                   | Installing the product .....  | 8         |
| <b>5</b>              | <b>Electrical installation</b> .....                                    | <b>9</b>  |
| 5.1                   | Connecting the product .....  | 9         |
| <b>6</b>              | <b>Initial start-up</b> .....   | <b>9</b>  |
| 6.1                   | Start-up .....  | 9         |
| <b>7</b>              | <b>Handing the product over to the end user</b> .....                   | <b>9</b>  |
| <b>8</b>              | <b>Maintenance</b> .....  | <b>10</b> |
| 8.1                   | Checking the magnesium protection anode .....                           | 10        |
| 8.2                   | Checking the inner vessel and components for scale deposition .....     | 10        |
| <b>9</b>              | <b>Detecting and eliminating faults</b> .....                           | <b>10</b> |
| 9.1                   | Replacing a defective thermostat .....                                  | 10        |
| 9.2                   | Replacing a defective heating element .....                             | 10        |
| 9.3                   | Overview of fault messages .....  | 10        |
| <b>10</b>             | <b>Decommissioning</b> .....  | <b>10</b> |
| <b>11</b>             | <b>Customer service</b> .....   | <b>11</b> |
| <b>Appendix</b> ..... | <b>12</b>   |           |
| <b>A</b>              | <b>Dimensions and dimension drawing</b> .....                           | <b>12</b> |
| <b>B</b>              | <b>Technical data</b> .....   | <b>12</b> |
| B.1                   | Technical data – General .....  | 12        |
| <b>C</b>              | <b>Fault LED displays</b> .....   | <b>13</b> |

# 1 Safety

## 1.1 Action-related warnings

### Classification of action-related warnings

The action-related warnings are classified in accordance with the severity of the possible danger using the following warning signs and signal words:

#### Warning symbols and signal words



#### **Danger!**

Imminent danger to life or risk of severe personal injury



#### **Danger!**

Risk of death from electric shock



#### **Warning.**

Risk of minor personal injury



#### **Caution.**

Risk of material or environmental damage

## 1.2 Intended use

There is a risk of injury or death to the user or others, or of damage to the product and other property in the event of improper use or use for which it is not intended.

The product is designed to generate and maintain heated drinking water for households.

- Max. hot water temperature: 75 °C

The product is approved exclusively for vertical installation on the wall.

The product must only be operated if a safety group is installed.

Intended use includes the following:

- observance of accompanying operating, installation and maintenance instructions for the product and any other system components
- compliance with all inspection and maintenance conditions listed in the instructions.

The use of the product in vehicles, such as mobile homes and caravans, is not classed as intended use. Units that are not classed as vehicles are those that are installed in a fixed and permanent location (known as "fixed installation").

Any other use that is not specified in these instructions, or use beyond that specified in this document, shall be considered improper use. Any direct commercial or industrial use is also deemed to be improper.

#### **Caution.**

Improper use of any kind is prohibited.

## 1.3 General safety information

### 1.3.1 Risk caused by inadequate qualifications

The following work must only be carried out by competent persons who are sufficiently qualified to do so:

- Set-up
  - Dismantling
  - Installation
  - Start-up
  - Inspection and maintenance
  - Repair
  - Decommissioning
- ▶ Proceed in accordance with current technology.

### 1.3.2 Risk of death from electric shock

There is a risk of death from electric shock if you touch live components.

Before commencing work on the product:

- ▶ Disconnect the product from the power supply by switching off all power supplies at all poles (electrical partition with a contact gap of at least 3 mm, e.g. fuse or circuit breaker).
- ▶ Secure against being switched back on again.
- ▶ Check that there is no voltage.

### 1.3.3 Risk of burns or scalding caused by hot components

- ▶ Only carry out work on these components once they have cooled down.

### 1.3.4 Risk of scalding and material damage due to escaping hot or cold water

- ▶ If you use plastic pipes for the hot or cold water connection of the product, you must only use pipes that are temperature-resistant up to 95 °C under a pressure of 1.0 MPa (10 bar).



### 1.3.5 Risk of material damage caused by using an unsuitable tool

- ▶ Use the correct tool.

### 1.3.6 Risk of material damage caused by frost

- ▶ Do not install the product in rooms prone to frost.

### 1.3.7 Material damage due to leaks

- ▶ Ensure that there is no mechanical stress on the connection cables.
- ▶ Do not suspend any loads from the pipelines (e.g. clothing).

### 1.3.8 Risk of death due to safety group components either not being installed or being incorrectly installed

If certain safety group components (e.g. expansion relief valve, return flow prevention, pressure reducer) have either not been installed or have been incorrectly installed, this may lead to potentially fatal scalding and other injuries.

- ▶ Install the necessary safety group components.
- ▶ Do not install hydraulic accessories between the safety group and the domestic hot water cylinder's cold water pipe.
- ▶ Explain to the operator how the safety group works and where it is to be positioned.


### 1.3.9 Material damage due to unsuitable installation surface

The installation surface must be even and have sufficient load-bearing capacity to support the operating weight of the product. An uneven installation surface may cause leaks in the product.

If the installation surface does not have sufficient load-bearing capacity, the product may become detached and fall off.

There is a risk of death if the connections are subject to leaks.

- ▶ Make sure that the product is positioned flush against the installation surface.

- 
- ▶ Ensure that the installation surface has sufficient load-bearing capacity to bear the operating weight of the product.

### 1.3.10 Excessive water pressure

Excessive water pressure may lead to damage to the product and, as a result, cause injuries.

**Validity:** Product with rated excess pressure > 6 bar

- ▶ Install a pressure regulator as close as possible to the product's cold water inlet.
- ▶ Note the particular characteristics of the pressure regulator as well as the details of the installation.
- ▶ Install an optional safety assembly as close as possible to the product's cold water inlet.
  - Required safety assembly components: Expansion relief valve, isolation valve, non-return valve and discharge pipe
- ▶ Install the discharge pipe above the drain pipework's funnel in such a way that the discharge pipe opposite the atmosphere remains open.
- ▶ Install the drain pipework in a frost-free environment with a steady downward gradient to a drain.
- ▶ Inform the end user that they must manually check that the expansion relief valve is working correctly at regular intervals.

### 1.3.11 Expansion relief valve

- ▶ During operation, hot water may drip out of the expansion relief valve.
- ▶ The expansion relief valve must be left open to the atmosphere.

### 1.3.12 Replacing the damaged power supply cable

- ▶ If the power supply cable for this product is damaged, it must be replaced by the manufacturer or their customer service or a similarly qualified person in order to prevent any hazards.



#### **1.4 Regulations (directives, laws, standards)**

- ▶ Observe the national regulations, standards, directives, ordinances and laws.



## 2 Notes on the documentation

### 2.1 Observing other applicable documents

- ▶ Always observe all the operating and installation instructions included with the system components.

### 2.2 Storing documents

- ▶ Pass these instructions and all other applicable documents on to the end user.

### 2.3 Validity of the instructions

This language version of the instructions applies only to Iraq.

#### Product article number

|                 |            |
|-----------------|------------|
| DT4-B 50 INT II | 8000031392 |
| DT4-B 65 INT II | 8000031394 |
| DT4-B 80 INT II | 8000031388 |

## 3 Product overview

### 3.1 Product designation

The product is a Electric domestic hot water cylinder, closed.

### 3.2 Identification plate

The identification plate is located on the lower side of the product.

The identification plate contains the following information:

| Information     | Meaning  |
|-----------------|--|
| Serial no.      | For identification                                   |
| DT4-B XX II     | Product designation                                  |
| l               | Fill quantity  |
| W               | Power  |
| V               | Operating voltage                                    |
| Hz              | Frequency  |
| MPa (bar)       | Pressure   |
| IP xx           | IP rating  |
| CE marking      | Unit complies with European standards and directives |
| Waste container | Proper disposal of the unit                          |

### 3.3 CE marking



The CE marking shows that the products comply with the basic requirements of the applicable directives as stated on the declaration of conformity.

The declaration of conformity can be viewed at the manufacturer's site.

## 3.4 Design

The cylinder is equipped with external heat insulation. The cylinder vessel is made of enamelled steel. The heating elements that transfer the heat are located inside the vessel. As additional corrosion protection, the vessel has a magnesium protection anode.

### 3.5 Regulations on packaging, transportation and storage

The products are delivered in the manufacturer's packaging.

The products are transported by road, by sea and by rail in accordance with the goods transport regulations that apply to the relative means of transport. During transportation, it is absolutely essential for the product to be firmly secured against moving horizontally and vertically.

Products that are not installed are stored in the manufacturer's packaging. The products must be stored under standard conditions in closed rooms that have natural air circulation (non-aggressive and dust-free environment, temperature gradients of -10 °C to +37 °C, up to 80% air humidity, without shocks or vibrations).

### 3.6 Duration of storage

- Duration of storage: 2 years from production date

### 3.7 Service life

If the regulations on transportation, storage, installation and operation are observed, the product's expected service life is 15 years from the date of installation.

## 4 Set-up

### 4.1 Checking the scope of delivery

| Quantity | Component                                 |
|----------|---|
| 1        | Domestic hot water cylinder               |
| 1        | Hanging bracket                           |
| 1        | Expansion relief valve                    |
| 4        | Screws                                    |
| 4        | Rawl plug                                 |
| 4        | Washers                                   |
| 1        | Spacer                                    |
| 1        | Adjusting screw                           |
| 1        | Discharge line                            |
| 1        | Operating instructions                    |
| 1        | Installation and maintenance instructions |

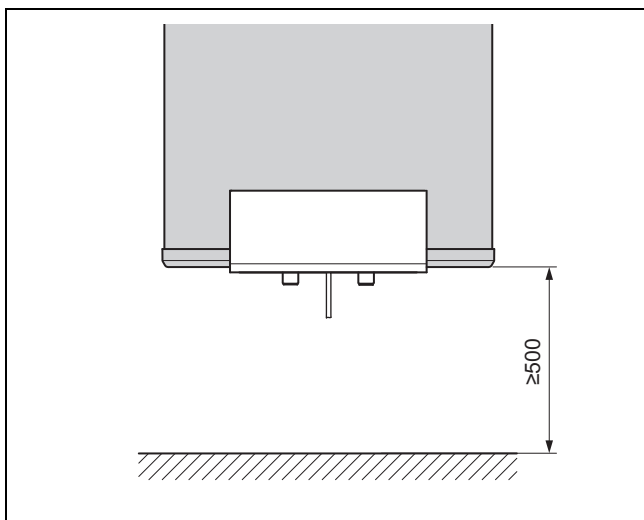
## 4.2 Requirements for the installation site

- ▶ Select the installation site so that the cables can be easily routed.
- ▶ Install the product in rooms that are always dry and free of frost.
- ▶ Make sure that the wall is even, vertical and sturdy.
- ▶ Make sure that the load-bearing capacity of the wall, rawl plugs and screws are sufficient for bearing the product's operating weight.
- ▶ Make sure that the rawl plugs and screws are suitable for the wall.

## 4.3 Requirements for electrical installation at the installation site

- ▶ Make sure that the product can be installed outside of protective areas 0 to 2.
- ▶ Make sure that the dwelling is equipped with an earth line.
- ▶ Make sure that the power mains is suitable for the product.
  - Voltage: 230 V/50 Hz
- ▶ Make sure that the line protection switch is suitable for the measuring current.
  - Measuring current: 16 A

## 4.4 Observing the minimum clearances



- ▶ Comply with the minimum clearances during installation.

## 4.5 Installing the product

1. During installation, pay attention to the length of the electrical line, the minimum clearances with respect to the wall, floor and ceiling, and the permitted protective area.

**Condition:** Wall made of concrete hollow bricks

- ▶ Install the product using a special load-bearing structure.
2. Based on the product's operating weight and the structural condition of the installation surface, determine the fixing material, e.g. rawl plugs and screws.
  3. Make sure that the rawl plugs and screws are suitable for the product's installation surface.
  4. Use the installation template that is printed on the packaging.

5. Drill the holes.
6. Insert the rawl plugs into the holes and screw in the screws.
  - Clearance between the screw and the wall:  $\approx 30$  mm
7. Mount the hanging bracket.
8. Use a screw to install the spacer at the lower end of the cylinder on the wall.
9. Use the adjusting screw to align the product in parallel to the wall.
10. Align the hanging brackets vertically and tighten the screws.
11. Mount the product in the hanging brackets using the hooks.

## 4.6 Installing the product

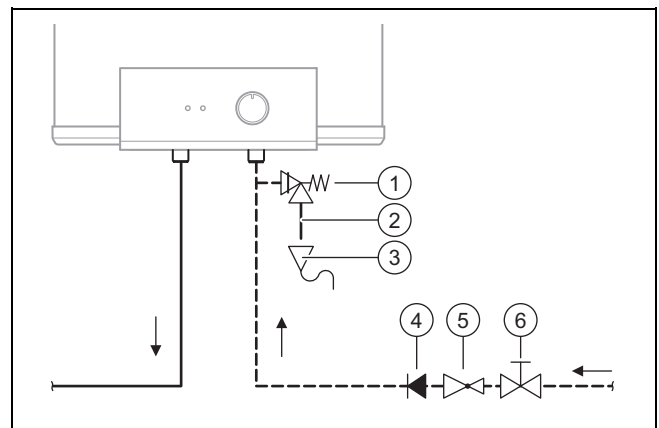


### Warning.

#### Risk of adverse health effects caused by impurities in the potable water.

Sealing residues, dirt or other residues in the pipelines may adversely affect the quality of the potable water.

- ▶ Flush all of the hot and cold water pipes thoroughly before you install the product.



- |   |                        |   |                                   |
|---|------------------------|---|-----------------------------------|
| 1 | Expansion relief valve | 4 | Return flow prevention (optional) |
| 2 | Discharge line         | 5 | Pressure reducer (optional)       |
| 3 | Tundish (optional)     | 6 | Stop valve                        |

1. Install components (1) to (6) in accordance with the illustration.
2. Install the safety device as close as possible to the product's cold water inlet.
3. Install the drain pipework at a constant incline.
4. Maintain a clearance between the expansion relief valve's discharge pipe and the tundish so that the drain pipework is open to the atmosphere.
  - Clearance:  $\geq 20$  mm
5. Make sure that the diameter of the drain pipework is at least equal to that of the expansion relief valve's discharge pipe.
6. If the connection pressure is high, install a pressure reducer.

- Connection pressure:  $\geq 0.6$  MPa
- Pressure setting: 0.3 to 0.4 MPa

## 5 Electrical installation

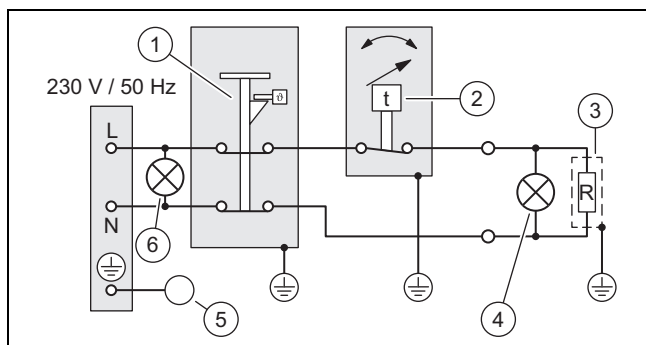
Only qualified electricians are allowed to carry out the electrical installation.

### 5.1 Connecting the product

1. Make sure that you do not connect the product to the power grid prior to start-up.
2. To connect the product, use H 05 VV-F 3 G 1,0 mm<sup>2</sup> lines.
3. Switch off the power supply.
4. Check that there is no voltage.
5. Secure the power supply against being switched back on.
6. Earth the domestic hot water cylinder.
7. Do not use pipelines for earthing.
8. Protect the electrical circuit using a circuit breaker.
  - Rated current:  $\geq 16$  A
9. Switch off the circuit breaker.
10. Connect the electrical connection cables.

#### 5.1.1 Connecting electrical supply lines

##### 5.1.1.1 Single-phase connection, 230 V ~



- |                                  |                     |
|----------------------------------|---------------------|
| 1 Safety overheat cut-off device | 4 Heating LED       |
| 2 Thermostat                     | 5 Earthing          |
| 3 Heating element, 1.8 kW        | 6 Mains voltage LED |

## 6 Initial start-up

Initial start-up must only be carried out by customer service.

### 6.1 Start-up

1. Open the cold-water stopcock.
2. Open the hot water taps.
3. Wait until water flows out of the hot water taps.
4. Close the hot water taps.
5. Check the expansion relief valve by opening the drain cock on the expansion relief valve.
  - ◁ Water must escape from the draining cock.
6. Check all pipe connections for leak-tightness.
7. Switch on the main switch.
8. Switch on the line protection switch.



#### Danger!

#### Risk of death from legionella.

Legionella multiply at temperatures below 60 °C.

- ▶ Ensure that the end user is familiar with all of the Anti-legionella measures in order to comply with the applicable regulations regarding legionella prevention.

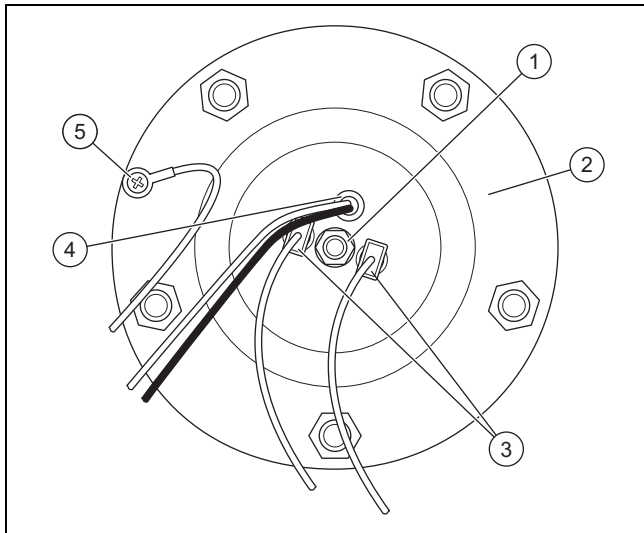
9. Set the required temperature.
  - Temperature range: 10 to 75 °C
  - ◁ The heating symbol lights up until the water temperature has been reached.
10. Wait until the heat-up time has ended before switching the product to normal operating mode.

## 7 Handing the product over to the end user

- ▶ Inform the end user how to handle the product. Answer any questions the end user may have. In particular, draw attention to the safety warnings which the end user must follow.
- ▶ Explain to the end user how the safety devices work and where they are located.
- ▶ Explain to the end user how to limit the domestic hot water temperature at the draw-off point in order to prevent scalding.
- ▶ Inform the end user that they must have the product maintained in accordance with the specified intervals.
- ▶ Provide the end user with all relevant instructions and unit documentation for safe-keeping.

## 8 Maintenance

### 8.1 Checking the magnesium protection anode



- |   |                      |   |            |
|---|----------------------|---|------------|
| 1 | Heating element bolt | 4 | Thermostat |
| 2 | Flange with hex nuts | 5 | Earth line |
| 3 | Heating element      |   |            |

1. Disconnect the product from the power supply. (→ Page 10)
2. Empty the product. (→ Page 11)

#### Removing the flange

3. Unscrew the cover on the flange.
4. Unscrew the earth line from the flange.
5. Unplug the plug from the heating element.
6. Remove the thermostat.
7. Unscrew the hex nuts from the flange.
8. Remove the flange straight from the cylinder tank.

#### Replacing the magnesium protection anode

9. Replace the magnesium protection anode when it is worn.
  - Wear: 60 %

#### Installing the flange

10. Replace the flange seal.
11. Screw the flange in place.
12. Screw on the earth line.
13. Plug the thermostat into the intended opening.
14. Plug the plug into the heating element.
15. Screw the cover to the product tightly.
16. Start up the product. (→ Page 9)

### 8.2 Checking the inner vessel and components for scale deposition

1. Disconnect the product from the power supply. (→ Page 10)
2. Empty the product. (→ Page 11)
3. Remove the flange. (→ Page 10)
4. If necessary, clean the inner vessel with descaling agents or by carefully scraping it with a wooden spatula.
5. Install the flange. (→ Page 10)
6. Replace components if necessary.
7. Start up the product. (→ Page 9)

## 9 Detecting and eliminating faults

### 9.1 Replacing a defective thermostat

1. Disconnect the product from the power supply. (→ Page 10)
2. Undo the screws on the flange cover.
3. Remove the defective thermostat.
4. Plug the new thermostat into the intended opening.
5. Screw the cover to the product tightly.
6. Start up the product. (→ Page 9)

### 9.2 Replacing a defective heating element

1. Disconnect the product from the power supply. (→ Page 10)
2. Empty the product. (→ Page 11)
3. Remove the flange. (→ Page 10)
4. Unscrew the defective heating element from the flange.
5. Screw the new heating element onto the flange.
6. Install the flange. (→ Page 10)
7. Start up the product. (→ Page 9)

### 9.3 Overview of fault messages

Fault LED displays (→ Page 13)

## 10 Decommissioning

### Disconnecting the product from the power supply



#### Danger!

#### Risk of electric shock

There is a risk of electric shock when working on electrical components that are connected to the low-voltage network.

- ▶ Disconnect the product from the power supply.
- ▶ Secure the product against being switched back on again.
- ▶ Check that the product is voltage-free.
- ▶ Only open the product when it is voltage-free.

- ▶ Remove the mains connection lines.

### **Emptying the product**

1. Close the cold water stop cock.
2. Open a hot water valve connected to the product.
3. Loosen the connection between the cold water pipe and the product.
4. Drain the domestic hot water cylinder via the product's cold water pipe.

### **Removing the product**

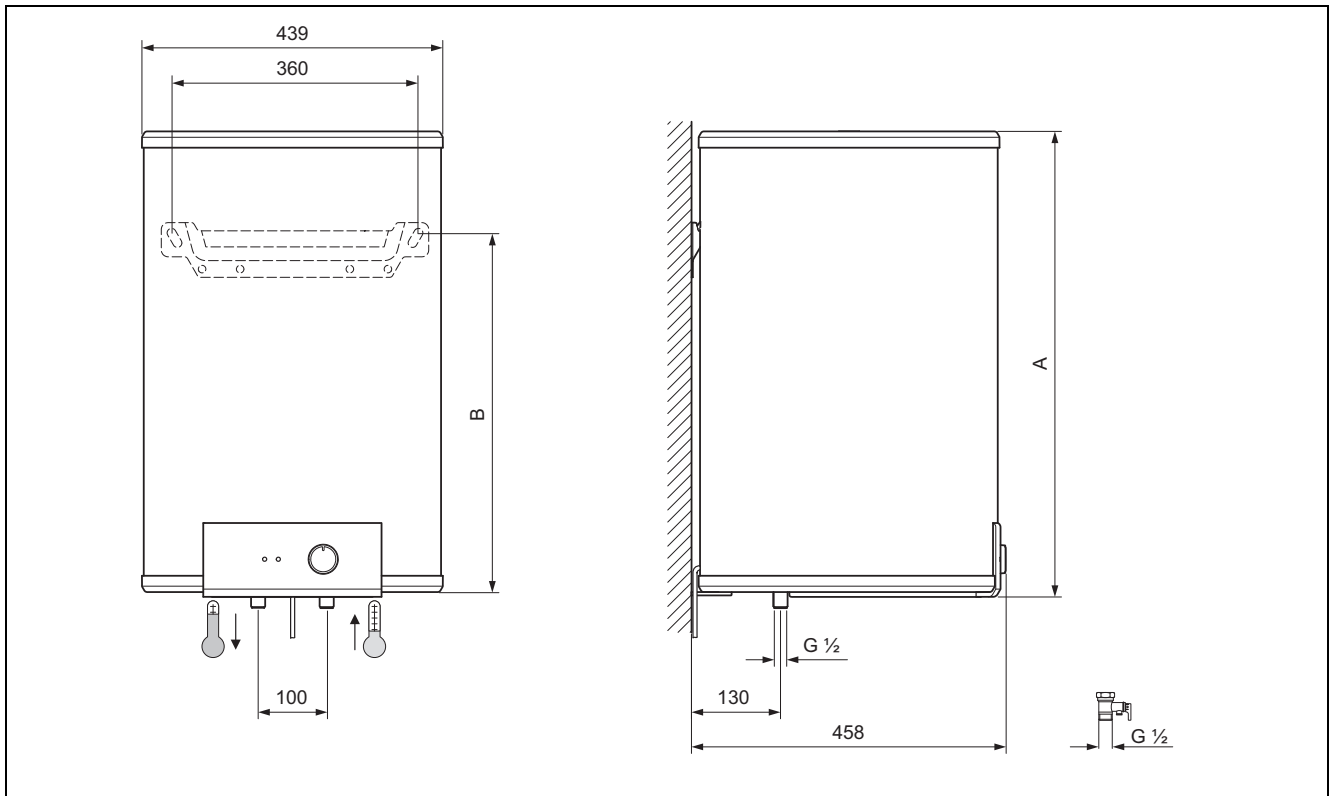
5. Remove the cold and hot water piping.
6. Undo the screws.
7. Lift the product and remove it from the wall.
8. Remove the screws from the wall.

## **11 Customer service**

You can find the contact details for our customer service below the address on the back page of this document.

## Appendix

### A Dimensions and dimension drawing



#### Dimensions

|                 | A      | B      |
|-----------------|--------|--------|
| DT4-B 50 INT II | 555 mm | 408 mm |
| DT4-B 65 INT II | 680 mm | 533 mm |
| DT4-B 80 INT II | 805 mm | 658 mm |

### B Technical data

|                 | Filling volume | Operating weight | Net weight | Power  | Mains voltage |
|-----------------|----------------|------------------|------------|--------|---------------|
| DT4-B 50 INT II | 50 l           | 67 kg            | 17 kg      | 1.8 kW | 230 V         |
| DT4-B 65 INT II | 65 l           | 85 kg            | 20 kg      | 1.8 kW | 230 V         |
| DT4-B 80 INT II | 77 l           | 101 kg           | 24 kg      | 1.8 kW | 230 V         |

|                 | Protection class | IP rating |
|-----------------|------------------|-----------|
| DT4-B 50 INT II | I                | IP24      |
| DT4-B 65 INT II | I                | IP24      |
| DT4-B 80 INT II | I                | IP24      |

#### B.1 Technical data – General

|                 |   |
|-----------------|---|
| Heat insulation | PU foam, CFC-free                                 |
| Inner vessel    | Steel, enamelled, with magnesium protection anode |

## C Fault LED displays

| Display             | Cause                | Remedy   |
|---------------------|----------------------|--|
| Heating LED flashes | Non-classified fault | Check the entire system for faulty components.<br>Replace the defective component. |

# دليل التركيب والصيانة

## المحتوى

|    |  |     |
|----|--|-----|
| 15 | السلامة  | 1   |
| 15 | الإرشادات التحذيرية المتعلقة بخطوات العمل                      | 1.1 |
| 15 | الاستخدام المطابق للتعليمات                                    | 2.1 |
| 15 | إرشادات السلامة العامة   | 3.1 |
| 16 | اللائح (المواصفات، القوانين، المعايير)                         | 4.1 |
| 17 | إرشادات حول الكتيب   | 2   |
| 17 | تراعى المستندات المعنية  | 1.2 |
| 17 | حفظ المستندات  | 2.2 |
| 17 | سريان الدليل   | 3.2 |
| 17 | عرض عام للمنتج   | 3   |
| 17 | مُسمى المُنتج  | 1.3 |
| 17 | لوحة الصنع   | 2.3 |
| 17 | علامة CE   | 3.3 |
| 17 | التصميم  | 4.3 |
| 17 | القواعد الخاصة بالتعبئة والنقل والتخزين                        | 5.3 |
| 17 | مدة التخزين  | 6.3 |
| 17 | العمر الافتراضي  | 7.3 |
| 17 | التركيب  | 4   |
| 17 | فحص مجموعة التجهيزات الموردة                                   | 1.4 |
| 17 | المتطلبات الواجب توافرها في مكان التركيب                       | 2.4 |
| 18 | متطلبات التركيب الكهربائي لموقع التركيب                        | 3.4 |
| 18 | مراعاة الحد الأدنى للمسافات                                    | 4.4 |
| 18 | تركيب المنتج   | 5.4 |
| 18 | تثبيت المنتج   | 6.4 |
| 18 | التركيبات الكهربائية   | 5   |
| 18 | توصيل المنتج   | 1.5 |
| 19 | التشغيل لأول مرة   | 6   |
| 19 | التشغيل لأول مرة   | 1.6 |
| 19 | تسليم المنتج للمشغل  | 7   |
| 19 | الصيانة  | 8   |
| 19 | فحص أنود الحماية الممغنيسيوم                                   | 1.8 |
| 19 | فحص الوعاء الداخلي والأجزاء التركيبية من حيث وجود ترسبات جيرية | 2.8 |
| 20 | التعرف على الاختلالات وإزالتها                                 | 9   |
| 20 | استبدال الثرموستات التالف                                      | 1.9 |
| 20 | تغيير عنصر التسخين التالف                                      | 2.9 |
| 20 | نظرة عامة على بلاغات الأخطاء والاختلالات                       | 3.9 |
| 20 | الإيقاف  | 10  |
| 20 | خدمة العملاء   | 11  |
| 21 | ملحق   |     |
| 21 | الأبعاد والرسم المحدد للأبعاد                                  | A   |
| 21 | المواصفات الفنية   | B   |
| 21 | المواصفات الفنية - نقاط عامة                                   | 1.B |
| 22 | البيان LED الخاص بالاختلالات والأخطاء                          | C   |

## 1.1 الإرشادات التحذيرية المتعلقة بخطوات العمل

## تصنيف الإرشادات التحذيرية المتعلقة بخطوات العمل

الإرشادات التحذيرية المتعلقة بخطوات العمل مصنفة كما يلي بالعلامات التحذيرية وكلمات التنبيه فيما يتعلق بدرجة الصعوبة والخطر المحتمل:

## العلامات التحذيرية وكلمات التنبيه

خطر!



خطر مباشر على الحياة أو خطر من وقوع إصابات بالغة للأشخاص

خطر!



خطر على الحياة من جراء حدوث صدمة كهربائية

تحذير!



خطر من حدوث إصابات طفيفة للأشخاص

احترس!



خطر من حدوث أضرار مادية أو تلفيات بالبيئة

## 2.1 الاستخدام المطابق للتعليمات

في حالة الاستخدام غير السليم أو المخالف للتعليمات يمكن أن تنشأ أخطار على حياة المستخدم أو الآخرين أو قد تحدث تلفيات بالمنتج أو غيره من الممتلكات الأخرى.

المنتج مُخصص لإنتاج وتوفير مياه الشرب الساخنة للمنازل.

– الحد الأقصى لدرجة حرارة الماء الساخن: 75 °م

يُسمح بالتركيب فقط بشكل عمودي على الجدار.

لا يُسمح بتشغيل المنتج إلا مع مجموعة أمان مُدمجة.

الاستخدام المطابق للتعليمات يشتمل على:

– مراعاة أدلة التشغيل والتركيب والصيانة المرفقة مع المنتج

وكذلك جميع أجزاء النظام الأخرى

– الالتزام بشروط الفحص والصيانة الواردة في الأدلة.

استخدام المنتج في المركبات، مثل المساكن المتنقلة أو

الكارافانات، يعتبر استخداماً غير مطابق للتعليمات. لا يندرج

تحت وصف مسمى مركبات تلك الوحدات المركبة بشكل دائم

وثابت في الموقع (ما يسمى التركيب الثابت في الموقع).

أي استخدام آخر بخلاف ما هو موضح في هذا الدليل المرفق

أو استخدام المنتجات بشكل يتجاوز ما هو موضح يعتبر مخالفاً

للتعليمات. كما أن أي استخدام في الأغراض التجارية والصناعية

بشكل مباشر يعتبر أيضاً مخالفاً للتعليمات.

تنبيه!

ممنوع إساءة استخدام المنتجات بأي شكل.

## 3.1 إرشادات السلامة العامة

## 1.3.1 خطر من جراء نقص الكفاءة

لا يجوز القيام بالأعمال التالية إلا من خلال أحد الفنيين المتخصصين المؤهلين بالقدر الكافي للقيام بذلك:

– التركيب

– الفك

– التثبيت

– التشغيل

– الفحص والصيانة

– الإصلاح

– الإيقاف

◀ احرص على التصرف وفقاً لأحدث التطورات التقنية.

## 2.3.1 خطر على الحياة من جراء حدوث صدمة كهربائية

إذا قمت بملامسة أجزاء مكهربة فإنك تعرض حياتك للخطر جراء حدوث صدمة كهربائية.

قبل العمل على المنتج:

◀ افصل المنتج عن شبكة التيار الكهربائي من خلال إيقاف

جميع مصادر إمداد التيار بفصل جميع الأقطاب (تجهيزة

فصل كهربائية مزودة بفتحة تلامس لا تقل عن 3 مم

كالمصهر أو قاطع دائرة).

◀ قم بالتأمين ضد معادوة التشغيل.

◀ تأكد من عدم وجود تيار كهربائي.

## 3.3.1 خطر الإصابة بحروق أو باكتواءات بفعل الأجزاء الساخنة

◀ لا تقم بأية أعمال على الأجزاء إلا بعد أن تبرد.

## 4.3.1 خطر الإصابة باكتواءات وخطر حدوث أضرار مادية من خلال تسرب الماء الساخن أو البارد

◀ إذا كنت تستخدم مواسير بلاستيكية لوصلة الماء الساخن

أو البارد للمنتج، فاستخدم فقط مواسير ذات مقاومة لدرجة

حرارة تبلغ 95 °م عند ضغط 1,0 ميغا باسكال (10 بار).

## 5.3.1 خطر حدوث ضرر مادي بفعل العدة غير المناسبة

◀ استخدم العدة المناسبة.

## 6.3.1 خطر حدوث ضرر مادي من جراء التجمد

◀ لا تقم بتركيب المنتج في أماكن مُعرضة لخطر التجمد.

## 7.3.1 أضرار مادية من جراء التسريبات

◀ تأكد أنه لا توجد إجهادات ميكانيكية في أسلاك التوصيل.

◀ لا تعلق أية أحمال على وصلات الأنابيب (مثل الملابس).

## 8.3.1 خطر على الحياة بسبب عدم وجود أجزاء مجموعة الأمان أو تركيبها بشكل خاطئ

عدم وجود أجزاء مجموعة الأمان أو تركيبها بشكل خاطئ (مثلاً

صمام الأمان، مانع التدفق الرجوعي، مخفف الضغط) قد يؤدي

إلى الإصابة باكتواءات مميتة وإصابات أخرى.

#### 4.1 اللوائح (المواصفات، القوانين، المعايير)

◀ تراعى القوانين، والأوامر، والمواصفات، والمعايير، واللوائح المحلية.

- ◀ قم بتركيب أجزاء مجموعة الأمان الضرورية.
- ◀ لا تقم بتركيب أي ملحقات هيدروليكية بين مجموعة الأمان وصلة الماء البارد الخاصة بخزان الماء الساخن.
- ◀ أبلغ المشغل بخصوص وظيفة وموضع مجموعة الأمان.

#### 9.3.1 ضرر مادي بسبب سطح تركيب غير مناسب

- يجب أن يكون سطح التركيب مستويًا وأن يكون ذا قدرة تحمل كافية للوزن التشغيلي للمنتج. عدم استواء سطح التركيب قد يؤدي إلى وجود مواضع تسريب بالمنتج.
- في حالة عدم توفر قدرة تحمل كافية، قد ينفك المنتج ويسقط. وجود مواضع تسريب عند الوصلات قد يمثل تهديدًا للحياة.
- ◀ احرص على أن يركز المنتج على سطح التركيب بشكل مستو.
  - ◀ تأكد أن سطح التركيب قادر على تحمل الوزن التشغيلي للمنتج بشكل كافٍ.

#### 10.3.1 ضغط الماء مرتفع للغاية

قد يتسبب ضغط الماء المرتفع للغاية في إلحاق الضرر بالمنتج، ومن ثم حدوث إصابات نتيجة لذلك.

السريان: المنتج مع الضغط الزائد المقدر < 6 بار

- ◀ قم بتركيب منظم للضغط في أقرب مكان ممكن من مدخل الماء البارد للمنتج.
  - ◀ ثراعى الخصائص الخاصة لمنظم الضغط وتفاصيل عملية التركيب.
- ◀ قم بتركيب مجموعة أمان اختيارية في أقرب مكان ممكن من مدخل الماء البارد للمنتج.
- المكونات اللازمة لمجموعة الأمان: صمام أمان وصمام قطع وصمام لارجوعي وأنبوب نفخ
- ◀ قم بتركيب أنبوب النفخ فوق قمع خط التصريف بحيث يظل أنبوب النفخ مفتوحًا على الهواء الخارجي.
  - ◀ قم بتركيب خط التصريف في بيئة محيطة خالية من الصقيع مع ميل ثابت نحو مكان تصريف.
  - ◀ أبلغ المشغل بمراجعة وظيفة صمام الأمان يدويًا بصورة منتظمة.

#### 11.3.1 صمام الأمان

- ◀ أثناء التشغيل، قد يتساقط ماء ساخن من صمام الأمان.
- ◀ يجب ترك صمام الأمان مفتوحًا على الهواء الخارجي.

#### 12.3.1 استبدال كابل توصيل الشبكة الكهربائية التالف

- ◀ في حالة تعرض كابل توصيل الشبكة الكهربائية للضرر، يجب استبداله عن طريق الجهة الصانعة أو خدمة العملاء التابعة لها أو شخص مؤهل مماثل، وذلك لتجنب التعرض للخطر.

## 2 إرشادات حول الكتيب

### 1.2 تراعى المستندات المعنية

◀ يجب مراعاة جميع أدلة التشغيل والتركيب المرفقة مع أجزاء النظام.

### 2.2 حفظ المستندات

◀ قم بتسليم هذا الدليل وكذلك جميع المستندات الأخرى السارية معه للمشغل.

### 3.2 سريان الدليل

تسري هذه النسخة اللغوية للدليل على العراق فقط.

### المنتج - رقم الجزء

|            |                 |
|------------|-----------------|
| 8000031392 | DT4-B 50 INT II |
| 8000031394 | DT4-B 65 INT II |
| 8000031388 | DT4-B 80 INT II |

## 4.3 التصميم

يتم توفير الخزان مزوداً بعازل حراري من الخارج. وعاء الخزان مصنوع من الفولاذ المطلي بالمينا. يوجد داخل الوعاء عناصر التسخين التي تنقل الحرارة. وكحماية إضافية من الصدا، يحتوي الوعاء على أنود حماية مغنيسيوم.

## 5.3 القواعد الخاصة بالتعبئة والنقل والتخزين

يتم توريد المنتجات في عبوة المصنع.

يتم نقل المنتجات على الطرق البرية أو بالنقل البحري أو بالسكك الحديدية طبقاً لقواعد نقل البضائع التي تسري على وسيلة النقل المعنية. وأثناء النقل لا بد من تثبيت المنتجات بإحكام لتأمينها ضد حركات الإزاحة الأفقية والرأسية.

المنتجات التي لن يتم تركيبها يجب حفظها في عبوة المصنع. يجب تخزين المنتجات في أماكن مغلقة تتوفر بها تهوية طبيعية وفي ظل توفر الظروف المحيطة القياسية (محيط خال من الأتربة وعوامل التآكل، نطاق درجة حرارة من -10°م حتى +37°م، رطوبة هواء حتى 80%، عدم التعرض لارتجاجات أو اهتزازات).

## 6.3 مدة التخزين

- مدة التخزين: سنتان من تاريخ الإنتاج

## 7.3 العمر الافتراضي

في حالة مراعاة التعليمات الخاصة بالنقل والتخزين والتركيب والتشغيل يبلغ العمر الافتراضي المتوقع للمنتج 15 سنة من وقت التركيب.

## 4 التركيب

### 1.4 فحص مجموعة التجهيزات الموردة

| العدد | مكون                  |
|-------|-----------------------|
| 1     | خزان الماء الساخن     |
| 1     | حامل الجهاز           |
| 1     | صمام الأمان           |
| 4     | البراغي               |
| 4     | الخوابير              |
| 4     | وردات الارتكاز        |
| 1     | جلبة مبادعة           |
| 1     | برغي الضبط            |
| 1     | خط التصريف            |
| 1     | دليل التشغيل          |
| 1     | دليل التركيب والصيانة |

## 3 عرض عام للمنتج

### 1.3 مُسمى المُنتج

المُنتج عبارة عن قِلم، يفاذلا عاملا ي نابرهك نازخ.

### 2.3 لوحة الصنع

توجد لوحة الصنع على الجانب السفلي للمنتج.

البيانات التالية مدونة على لوحة الصنع:

| بيان           | المعنى                                     |
|----------------|--|
| الرقم المسلسل. | للمميز                                     |
| DT4-B XX II    | مُسمى المُنتج                              |
| لتر            | كمية الملء                                 |
| واط            | القدرة                                     |
| فقط            | جهد التشغيل                                |
| هرتز           | التردد                                     |
| MPa (bar)      | الضغط                                      |
| IP xx          | نوع الحماية                                |
| علامة CE       | يطابق الجهاز المعايير والمواصفات الأوروبية |
| خزان المخلفات  | التخلص من الجهاز بطريقة سليمة              |

## 2.4 المتطلبات الواجب توافرها في مكان التركيب

◀ اختر مكان التركيب، بحيث يتسنى تمرير الوصلات بشكل ملائم.

◀ قم بتركيب المنتج في أماكن خالية من الصقيع وجافة باستمرار.

◀ تأكد أن الجدار مستو وعمودي وثابت.

◀ تأكد أن قدرة تحمل الجدار وكذلك الخابور والبراغي تكفي لتحمل الوزن التشغيلي للمنتج.

◀ تأكد أن الخوابير والبراغي مناسبة للجدار.

## 3.3 علامة CE



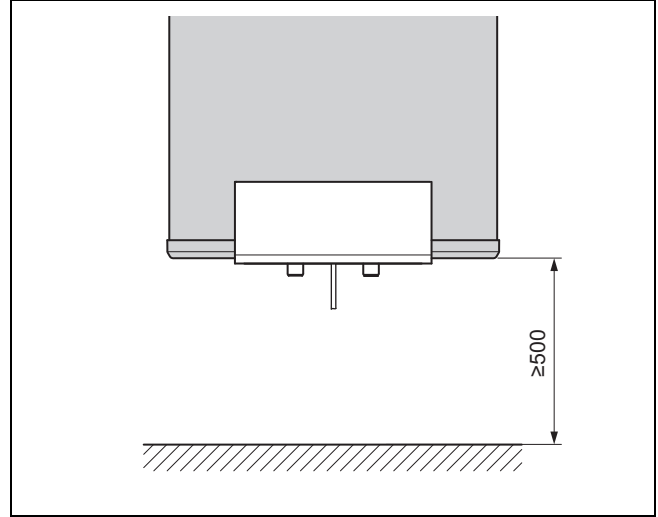
يتم من خلال علامة CE تأكيد استيفاء هذه المنتجات للمتطلبات الأساسية وجميع التوجيهات المعنية حسب بيان المطابقة.

يمكن الاطلاع على بيان المطابقة لدى الشركة الصانعة.

### 3.4 متطلبات التركيب الكهربائي لموقع التركيب

- ◀ تأكد من إمكانية تركيب المنتج خارج نطاقات الحماية من 0 إلى 2.
- ◀ تأكد أن المنزل مزود بوصلة تاريض.
- ◀ تأكد أن شبكة التيار الكهربائي مناسبة للمنتج.
- الجهد الكهربائي: 230 فلت/50 هرتز
- ◀ تأكد أن قاطع التيار مناسب للتيار المُقدر.
- التيار المقدر: 16 أمبير

### 4.4 مراعاة الحد الأدنى للمسافات



◀ عند التركيب، احرص على الالتزام بأدنى حد للمسافات.

### 5.4 تركيب المنتج

1. عند التركيب، يُراعى طول الكابل الكهربائي، والحد الأدنى للمسافات نحو الحائط والأرضية والسقف ونطاق الحماية المسموح به.

الاستعمال: جدار من الطوب الخرساني

◀ قم بتركيب المنتج باستخدام هيكل دعم خاص.

2. قم بتحديد مادة التثبيت، مثلًا الخوابير والبراغي، وذلك بالاستعانة بالوزن التشغيلي للمنتج وطبيعة سطح التركيب.
3. تأكد أن الخوابير والبراغي مناسبة لسطح تركيب المنتج.
4. استخدم قالب التركيب المطبوع على العبوة.
5. قم بفتح الفتحات.
6. ضع الخوابير داخل الفتحات واربط البراغي.
- مسافة البرغي إلى الجدار:  $\approx 30$  مم
7. قم بتعليق حامل الجهاز.
8. قم بتركيب جلبة المبادعة باستخدام أحد البراغي عند الطرف السفلي من الخزان على الجدار.
9. قم بمحاذاة المنتج بشكل مواز للجدار باستخدام برغي الضبط.
10. قم بمحاذاة حامل الجهاز بشكل عمودي وأحكام ربط البراغي.
11. قم بتعليق المنتج في حامل الجهاز باستخدام الخطافات.

### 6.4 تثبيت المنتج

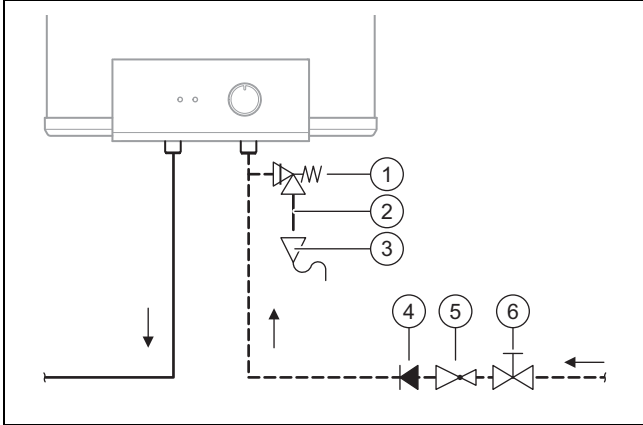
تحذير!



خطر الإضرار بالصحة العامة من جراء وجود اتساخات في ماء الشرب!

من الممكن أن تتدهور جودة مياه الشرب من جراء بقايا مانع التسريب، الاتساخات أو أية رواسب أخرى في وصلات المواسير.

◀ اشطف جميع وصلات الماء البارد والساخن جيداً قبل القيام بتركيب المنتج.



|   |                        |   |                               |
|---|------------------------|---|-------------------------------|
| 1 | صمام الأمان            | 4 | مانع التدفق الرجوعي (اختياري) |
| 2 | خط التصريف             | 5 | مخفف الضغط (اختياري)          |
| 3 | فُمع التصريف (اختياري) | 6 | صمام غلق                      |

1. تبيّن المكونات من (1) إلى (6) وفقاً للصورة.
2. تبيّن تجهيز الأمان بالقرب من مدخل الماء البارد للمنتج قدر الإمكان.
3. تبيّن وصلة التصريف بميل ثابت.
4. حافظ على مسافة كافية بين وصلة التصريف بصمام الأمان وفُمع التصريف بحيث تكون وصلة التصريف مكشوفة.
- المسافة:  $\leq 20$  مم
5. تأكد من أن وصلة التصريف بها نفس قطر وصلة التصريف بصمام الأمان على الأقل.
6. قم بتركيب مُخفف الضغط إذا كان ضغط التوصيل مرتفعاً للغاية.
- ضغط التوصيل:  $\leq 0,6$  ميجاباسكال
- ضبط الضغط: 0,3 to 0,4 ميجاباسكال

### 5 التركيبات الكهربائية

لا يجوز أن يقوم بإجراء التركيبات الكهربائية إلا فنيي الكهرباء المؤهلين.

#### 1.5 توصيل المنتج

1. تأكد من عدم توصيل المنتج بشبكة التيار الكهربائي قبل التشغيل.
2. استخدم من أجل توصيل المنتج وصلات  $H 05 VV-F 3 G 1,0 \text{ mm}^2$ .
3. أوقف مصدر الإمداد بالتيار الكهربائي.
4. تأكد من عدم وجود تيار كهربائي.
5. قم بتأمين مصدر التيار الكهربائي ضد معاداة التشغيل.
6. قم بتأريض خزان الماء الساخن.
7. لا تستخدم وصلات مواسير لعملية التأريض.
8. قم بتأمين دائرة التيار باستخدام قاطع تيار.

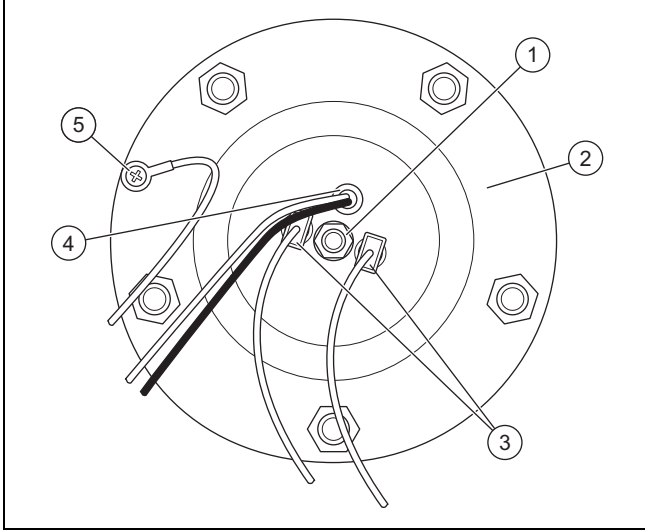
- التيار المقدر: ≤ 16 أمبير

## 7 تسليم المنتج للمشغل

- ◀ قم بتعريف المشغل بطريقة استعمال الجهاز. قم بالإجابة على جميع أسئلته.
- احرص بوجه خاص على تنبيه المشغل إلى إرشادات السلامة التي يجب أن يلتزم بها.
- ◀ وضع للمشغل مكان ووظيفة تجهيزات الأمان.
- ◀ أبلغ المشغل حول الإمكانيات المتاحة لتحديد درجة حرارة الماء الساخن عند منفذ الماء لمنع الاكتواءات.
- ◀ قم بإبلاغ المشغل حول ضرورة صيانة المنتج طبقاً للمواعيد المقررة.
- ◀ قم بتسليم المشغل جميع أدلة ومستندات الجهاز المخصصة له كي يحتفظ بها.

## 8 الصيانة

### 1.8 فحص أنود الحماية الماغنسيوم



- |   |                                    |   |              |
|---|------------------------------------|---|--------------|
| 1 | برغي عنصر التسخين                  | 3 | عنصر التسخين |
| 2 | فلانشة مزودة بصواميل سداسية الحواف | 4 | الثرموستات   |
| 5 | وصلة التأريض                       | 5 | وصلة التأريض |

1. أفضل المنتج عن الجهد الكهربائي. (← صفحة 20)
2. قم بتفريغ المنتج. (← صفحة 20)

### خلع الفلانشة

3. قم بفك غطاء الفلانشة.
4. قم بفك وصلة التأريض من الفلانشة.
5. اسحب القوابس من عنصر التسخين.
6. اسحب الثرموستات للخارج.
7. قم بفك الصواميل سداسية الحواف الخاصة بالفلانشة.
8. اسحب الفلانشة بشكل مستقيم من وعاء الخزان.

### تغيير أنود الحماية الماغنسيوم

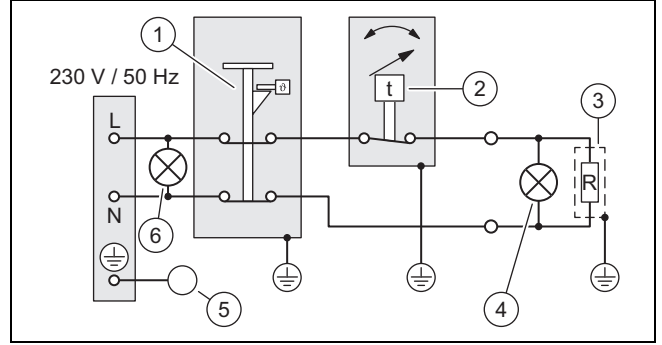
9. قم باستبدال أنود الحماية الماغنسيوم إذا تعرض للتلوث.
- الإزالة: 60 %

### تركيب الفلانشة

10. قم بتغيير مانع التسريب الخاص بالفلانشة.
11. اربط الفلانشة.
12. اربط وصلة التأريض.
13. أدخل الثرموستات في الفتحة المقررة.
14. قم بتوصيل القوابس على عنصر التسخين.
15. أحكم ربط الغطاء على المنتج.
16. قم بتشغيل الجهاز. (← صفحة 19)

## 1.1.5 توصيل أسلاك التوصيل الكهربائية

### 1.1.1.5 وصلة أحادية الطور ~ 230 V



- |   |                         |   |  |
|---|-------------------------|---|--|
| 1 | محدد درجة حرارة الأمان  | 4 | لمبة LED الخاصة بالتسخين               |
| 2 | الثرموستات              | 5 | التأريض                                |
| 3 | عنصر التسخين 1,8 كيلواط | 6 | لمبة LED الخاصة بجهد الشبكة الكهربائية |

## 6 التشغيل لأول مرة

يجب ألا يتم التشغيل لأول مرة إلا بواسطة خدمة العملاء.

### 1.6 التشغيل لأول مرة

1. افتح محبس الماء البارد.
2. افتح صنابير الماء الساخن.
3. انتظر إلى أن يتدفق الماء من صنابير الماء الساخن.
4. أغلق صنابير الماء الساخن.
5. افحص صمام الأمان من خلال فتح صنوبر التصريف الخاص بصمام الأمان.  
▷ يجب أن يتسرب الماء من صنوبر التصريف.
6. افحص وصلات المواسير من حيث الأحكام ضد التسريب.
7. قم بتشغيل المفتاح الرئيسي.
8. قم بتشغيل قاطع التيار.

### خطر!



### خطر على حياتك بسبب البكتريا!

تنشط البكتريا في درجات الحرارة الأقل من 60 م°.

- ◀ احرص على أن يكون المشغل على دراية بكل الإجراءات الخاصة بالحماية من البكتريا، لاستيفاء المواصفات السارية الخاصة بالوقاية من البكتريا.

9. اضبط درجة الحرارة على القيمة المرغوبة.

- نطاق درجة الحرارة: 10 to 75 م°

▷ يضيء رمز التسخين إلى أن يتم الوصول إلى درجة حرارة الماء.

10. انتظر حتى نهاية عملية التسخين قبل أن تقوم بتحويل المنتج إلى طريقة التشغيل العادي.

- 2.8 فحص الوعاء الداخلي والأجزاء التركيبية من حيث وجود ترسبات جيرية**
1. افصل المنتج عن الجهد الكهربائي. (← صفحة 20)
  2. قم بتفريغ المنتج. (← صفحة 20)
  3. قم بخلع الفلانشة. (← صفحة 19)
  4. قم عند اللزوم بتنظيف الوعاء الداخلي باستخدام مواد إزالة الترسبات الجيرية أو الكشط باستخدام عصا خشبية بحرص شديد.
  5. قم بتركيب الفلانشة. (← صفحة 19)
  6. قم عند اللزوم بتغيير الأجزاء التركيبية.
  7. قم بتشغيل الجهاز. (← صفحة 19)

## 11 خدمة العملاء

تجد بيانات الاتصال الخاصة بمركزنا لخدمة العملاء تحت العنوان الوارد على الغلاف الخلفي.

## 9 التعرف على الاختلالات وإزالتها

### 1.9 استبدال الثرموستات التالف

1. افصل المنتج عن الجهد الكهربائي. (← صفحة 20)
2. قم بحل براغي غطاء الفلانشة.
3. اسحب الثرموستات التالف للخارج.
4. أدخل الثرموستات الجديد في الفتحة المخصصة.
5. أحكم ربط براغي الغطاء بالمنتج.
6. قم بتشغيل الجهاز. (← صفحة 19)

### 2.9 تغيير عنصر التسخين التالف

1. افصل المنتج عن الجهد الكهربائي. (← صفحة 20)
2. قم بتفريغ المنتج. (← صفحة 20)
3. قم بخلع الفلانشة. (← صفحة 19)
4. قم بفك عنصر التسخين التالف من الفلانشة.
5. اربط عنصر التسخين الجديد في الفلانشة.
6. قم بتركيب الفلانشة. (← صفحة 19)
7. قم بتشغيل الجهاز. (← صفحة 19)

### 3.9 نظرة عامة على بلاغات الأخطاء والاختلالات

البيان LED الخاص بالاختلالات والأخطاء (← صفحة 22)

## 10 الإيقاف

### افصل المنتج ليصبح خالياً من الجهد الكهربائي

**خطر!**

**خطر صدمة كهربائية**



في حالة إجراء أعمال على الأجزاء الكهربائية في ظل التوصيل بشبكة الجهد المنخفض يكون هناك خطر حدوث صدمة كهربائية.

- ◀ افصل المنتج عن مصدر الإمداد بالتيار.
- ◀ قم بتأمين المنتج ضد معاداة التشغيل.
- ◀ تأكد من عدم وجود تيار كهربائي بالمنتج.
- ◀ لا تفتح المنتج إلا وهو مفصول عن الكهرباء.

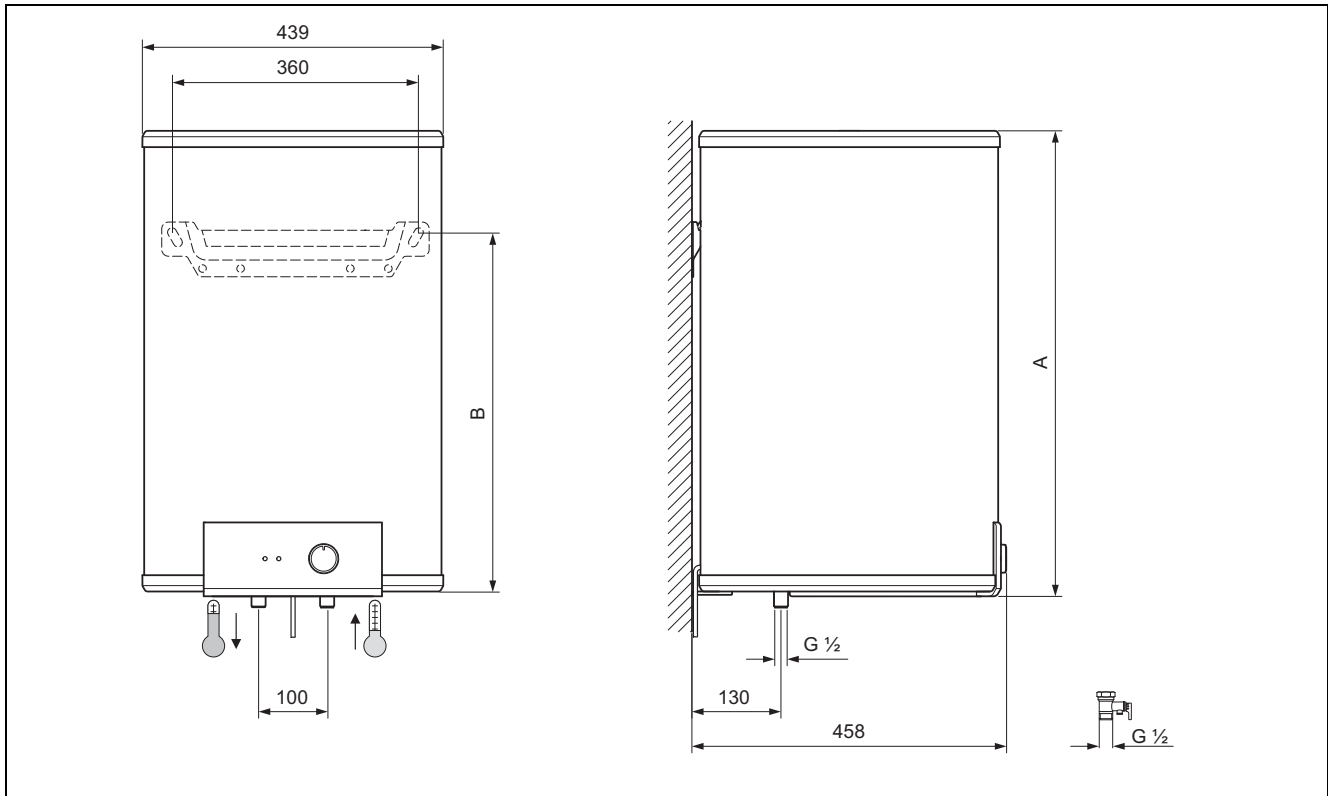
◀ قم بفك أسلاك التوصيل بالشبكة الكهربائية.

### تفريغ المنتج

1. أغلق محبس الماء البارد.
2. افتح صنبور الماء الساخن الموصل بالمنتج.
3. قم بحل بوصلة الإمداد بالماء البارد المتصلة بالمنتج.
4. قم بتفريغ خزان الماء الساخن عن طريق وصلة الإمداد بالماء البارد الخاصة بالمنتج.

### فك المنتج

5. قم بفك وصلة الماء الساخن ووصلة الماء البارد.



الأبعاد

| B      | A      |                 |
|--------|--------|-----------------|
| 408 مم | 555 مم | DT4-B 50 INT II |
| 533 مم | 680 مم | DT4-B 65 INT II |
| 658 مم | 805 مم | DT4-B 80 INT II |

## B المواصفات الفنية

| جهد الشبكة | القدرة       | الوزن الفارغ | وزن التشغيل | حجم الملاء |                 |
|------------|--------------|--------------|-------------|------------|-----------------|
| 230 فلت    | 1,8 كيلو واط | 17 كجم       | 67 كجم      | 50 لتر     | DT4-B 50 INT II |
| 230 فلت    | 1,8 كيلو واط | 20 كجم       | 85 كجم      | 65 لتر     | DT4-B 65 INT II |
| 230 فلت    | 1,8 كيلو واط | 24 كجم       | 101 كجم     | 77 لتر     | DT4-B 80 INT II |

| نوع الحماية | فئة الحماية |                 |
|-------------|-------------|-----------------|
| IP24        | I           | DT4-B 50 INT II |
| IP24        | I           | DT4-B 65 INT II |
| IP24        | I           | DT4-B 80 INT II |

## 1.B المواصفات الفنية – نقاط عامة

|                |  |
|----------------|--|
| العازل الحراري | رغوة البولي يوريثان، خالية من مركبات الكلوروفلوروكربون |
| الوعاء الداخلي | فولاذ، مطلي بالمينا، مزود بأنود حماية مغنيسيوم         |

## C البيان LED الخاص بالاختلالات والأخطاء

| إزالة الخطأ   | السبب        | البيان                           |
|---|--------------|----------------------------------|
| افحص النظام بأكمله بحثًا عن أجزاء تالفة.<br>قم باستبدال الجزء التالف. | خطأ غير محدد | لمبة LED الخاصة<br>بالتسخين تومض |

# საინსტალაციო და ტექნიკური ინსტრუქციები

## შემადგენლობა

|           |   |           |
|-----------|---|-----------|
| <b>1</b>  | <b>უსაფრთხოება</b> .....  | <b>24</b> |
| 1.1       | მოპყრობასთან დაკავშირებული გაფრთხილებები .....                    | 24        |
| 1.2       | მიზნობრივი გამოყენება .....                                       | 24        |
| 1.3       | ზოგადი უსაფრთხოების შენიშვნები .....                              | 24        |
| 1.4       | რეგულაციები (სახელმძღვანელოები, კანონები, ნორმები) .....          | 26        |
| <b>2</b>  | <b>დოკუმენტაციასთან არსებული შენიშვნები</b> .....                 | <b>27</b> |
| 2.1       | გათვალისწინეთ თანდართული დოკუმენტები .....                        | 27        |
| 2.2       | შეინახეთ დოკუმენტაცია .....                                       | 27        |
| 2.3       | მოქმედების ვადა, ინსტრუქცია .....                                 | 27        |
| <b>3</b>  | <b>პროდუქტის მიმოხილვა</b> .....                                  | <b>27</b> |
| 3.1       | პროდუქტის დასახელება .....  | 27        |
| 3.2       | ქარხნული ნიშნული .....  | 27        |
| 3.3       | CE-საიდენტიფიკაციო ნომერი .....                                   | 27        |
| 3.4       | აწყობა .....  | 27        |
| 3.5       | შეფუთვის, ტრანსპორტირებისა და დასაწყობების წესები .....           | 27        |
| 3.6       | შენახვის ვადა .....   | 27        |
| 3.7       | შენახვის ვადა .....   | 27        |
| <b>4</b>  | <b>მონტაჟი</b> .....  | <b>28</b> |
| 4.1       | შეამოწმეთ მიწოდებული პაკეტი .....                                 | 28        |
| 4.2       | მოთხოვნები სამონტაჟო ადგილისათვის .....                           | 28        |
| 4.3       | სამონტაჟო ადგილის მიხედვით ელექტრომონტაჟის მოთხოვნები .....       | 28        |
| 4.4       | მინიმალური მანძილების გათვალისწინება .....                        | 28        |
| 4.5       | პროდუქტის მონტაჟი .....   | 28        |
| 4.6       | პროდუქტის მონტაჟი .....   | 29        |
| <b>5</b>  | <b>ელექტრომონტაჟი</b> .....                                       | <b>29</b> |
| 5.1       | პროდუქტის შეერთება .....  | 29        |
| <b>6</b>  | <b>პირველადი ექსპლუატაცია</b> .....                               | <b>29</b> |
| 6.1       | ექსპლუატაციაში მოყვანა .....                                      | 30        |
| <b>7</b>  | <b>პროდუქტის უშუალო მომხმარებელზე გადაცემა</b> .....              | <b>30</b> |
| <b>8</b>  | <b>ტექნიკური მომსახურება</b> .....                                | <b>30</b> |
| 8.1       | შეამოწმეთ მაგნიუმის დამცავი ანოდი .....                           | 30        |
| 8.2       | შიდა რეზერვუარის და დეტალების შემოწმება ნადების არსებობაზე .....  | 31        |
| <b>9</b>  | <b>ხარვეზების აღმოჩენა და აღმოფხვრა</b> .....                     | <b>31</b> |
| 9.1       | გაუმართავი თერმოსტატის შეცვლა .....                               | 31        |
| 9.2       | გაუმართავი გამათბობელი ელემენტის გამოცვლა .....                   | 31        |
| 9.3       | შეცდომების და გაუმართაობის შესახებ შეტყობინებების მიმოხილვა ..... | 31        |
| <b>10</b> | <b>ექსპლუატაციიდან გამოყვანა</b> .....                            | <b>31</b> |
| <b>11</b> | <b>კლიენტთა მომსახურება</b> .....                                 | <b>31</b> |
|           | <b>დანართი</b> .....  | <b>32</b> |

|          |  |           |
|----------|--|-----------|
| <b>A</b> | <b>გაბარიტები და ზომების ნახაზი</b> .....                      | <b>32</b> |
| <b>B</b> | <b>ტექნიკური მონაცემები</b> .....                              | <b>32</b> |
| B.1      | ტექნიკური მონაცემები - ზოგადი .....                            | 33        |
| <b>C</b> | <b>უწყისივრობების და შეცდომების შუქდიოდური ინდიკაცია</b> ..... | <b>33</b> |



# 1 უსაფრთხოება

## 1.1 მოპყრობასთან დაკავშირებული გაფრთხილებები

### მუშაობასთან დაკავშირებული გაფრთხილებების კლასიფიკაცია

მუშაობასთან დაკავშირებული გაფრთხილებები, მაფრთხილებელი ნიშნებითა და სიგნალებით დაყოფილია მოსალოდნელი საშიშროებების სიმძიმის მიხედვით შემდგომად:

### მაფრთხილებელი ნიშნები და სიგნალები



#### საფრთხე!

უმუშაოდ მძიმე ფიზიკური ან სიცოცხლის საფრთხე



#### საფრთხე!

ელექტრო შოკისაგან სიცოცხლის საფრთხე



#### გაფრთხილება!

მსუბუქი ფიზიკური ზიანის საფრთხე



#### ფრთხილად!

კერძო საკუთრების ან გარემოს დაზიანების რისკი

## 1.2 მიზნობრივი გამოყენება

არსწორი ან არასათანადო გამოყენება ქმნის როგორც ფიზიკურ, ისე სიცოცხლის და მესამე პირის დაზიანების საფრთხეს. ასევე პროდუქტის და სხვა ღირებული საგნების დაზიანებას.

ნაწარმი განკუთვნილია საყოფაცხოვრებო საჭიროებისთვის გაცხელებული სასმელი წყლის მოსამზადებლად.

- ცხელი წყლის მაქს. ტემპერატურა: 75 °C

მონტაჟი ნებადართულია მხოლოდ ვერტიკალურ მდგომარეობაში კედელზე.

ნაწარმის ექსპლუატაცია ნებადართულია მხოლოდ ჩაშენებული უსაფრთხოების ჯგუფით.

მოხმარება გულისხმობს:

- გაითვალისწინეთ თანდართული პროდუქტის მოქმედების, ინსტალაციისა და ტექნიკური მომსახურების, ისევე როგორც მისი სხვა კომპონენტების ინსტრუქციები

- ინსტრუქციებში ჩამოთვლილი ყველა საინსპექციო და ტექნიკური მომსახურების მითითებების დაცვას.

პროდუქტი არ არის გამოყენებადი სატრანსპორტო საშუალებებისათვის, როგორც არის მაგ: მობილური სახლები ან საცხოვრებელი ვაგონები. სატრანსპორტო საშუალებად არ მოისაზრება ერთეულები, რომელიც ხანგრძლივად და მყარად არის დამონტაჟებული ადგილზე (ე.წ. სტაციონარული ერთეულები).

სხვა გამოყენება, ვიდრე აღწერილია თანდართულ ინსტრუქციაში ან გამოყენება, რომელიც სცდება აღნიშნულ აღწერილობას, მოისაზრება არამიზნობრივ გამოყენებათ. არამიზნობრივი გამოყენება ასევე გულისხმობს ნებისმიერ კომერციულ ან საწარმოო გამოყენებას.

### ფრთხილად!

ნებისმიერი არასწორი გამოყენება აკრძალულია.

## 1.3 ზოგადი უსაფრთხოების შენიშვნები

### 1.3.1 საფრთხე არასაკმარისი კვალიფიკაციის გამო

შემდეგი სამუშაოების შესრულება დასაშვებია, მხოლოდ შესაბამისად კვალიფიცირებული სპეციალური ხელოსნის მიერ:

- მონტაჟი
- დემონტაჟი
- ინსტალაცია
- ექსპლუატაციაში მოყვანა
- ინსპექცია და ტექნიკური მომსახურება
- სარემონტო სამუშაოები
- ექსპლუატაციიდან გამოყვანა
- ▶ იმოქმედეთ ტექნიკის მიმდინარე მდგომარეობის შესაბამისად.

### 1.3.2 ელექტრო შოკისაგან სიცოცხლის საფრთხე

დენგამტარი კვანძების შეხებისას წარმოიქმნა სიცოცხლის საფრთხე ელექტრო შოკის გამო.

სანამ დაიწყებთ პროდუქტთან მუშაობას:

- ▶ ჩართეთ პროდუქტი ძაბვის გარეშე, რომლის დროსაც გამორთული იქნება ყველა პოლუსური დენმომარაგების წყარო (ელექტრო გამაცალკეებელი მო-





წყობილობა, მინიმუმ 3 მმ-იანი კონტაქტის გამაცალკეველებლით, მაგ: დამცავი ან ავტომატური ამომრთველი).

- ▶ დაიცავით ხელმეორე ჩართვისაგან.
- ▶ შეამოწმეთ ძაბვის არარსებობა.

### 1.3.3 ცხელი კომპონენტების გამოდამწვრობა ან დამწვრობის რისკი

- ▶ იმუშავეთ კომპონენტებთან, მხოლოდ მათი გაგრილების შემდეგ.

### 1.3.4 დაორთქვლის საშიშროება და მატერიალური ზარალის რისკი ცხელი ან ცივი წყლის ჟონვის გამო

- ▶ თუ ცივი ან ცხელი წყლის ჩასართავად პროდუქტზე გსურთ პლასტმასის მილების გამოყენება, გამოიყენეთ მხოლოდ მილები რომელთა თბომედეგობა 95 °C წნევით 1,0 მპა (10 ბარი).

### 1.3.5 შეუსაბამო ხელსაწყოები ქმნის კერძო საკუთრების დაზიანების რისკს

- ▶ გამოიყენეთ სპეციალური ხელსაწყოები.

### 1.3.6 ყინვის შედეგად დაზიანების რისკი

- ▶ ნუ დააინსტალირებთ პროდუქტს ყინვასაშიშ ოთახებში.

### 1.3.7 დარღვეული იზოლაციით გამოწვეული მატერიალური ზარალი

- ▶ ყურადღება მიაქციეთ, რომ გაყვანილობებში არ წარმოიქმნას მექანიკური ძაბვა.
- ▶ ნუ ჩამოკიდებთ მილოვან გაყვანილობებზე ნივთებს (მაგ. ტანსაცმელი).

### 1.3.8 სიცოცხლისთვის საფრთხე უსაფრთხოების ჯგუფის დეტალების არ არსებობის ან არასწორი მონტაჟის გამო

უსაფრთხოების ჯგუფის დეტალების არ არსებობამ ან არასწორმა მონტაჟმა (მაგ.: დამცავი სარქველის, უკუსარქველის, რედუქტორის) შეიძლება გამოიწვიოს სიცოცხლისთვის საშიშვანო დაორთქვლა ან სხვა ტრავმები.

- ▶ დააყენეთ უსაფრთხოების ჯგუფის საჭირო დეტალები.
- ▶ არ დააყენოთ ჰიდრავლიკური აქსესუარები უსაფრთხოების ჯგუფს და ცივი წყლის წყალსადენს შორის, ცხელი წყლის შემგროვებელთან.
- ▶ აუხსენით მომხმარებელს მუშაობის პრინციპი და უსაფრთხოების ჯგუფის ადგილმდებარეობა.

### 1.3.9 აღჭურვილობის დაზიანება მონტაჟის არასათანადო ზედაპირის გამო

სამონტაჟო ზედაპირი უნდა იყოს თანაბარი და ჰქონდეს საკმარისი წევადობის უნარი პროდუქტის სამუშაო წონისთვის. სამონტაჟო სივრცის არა ერთგვაროვნებას შეუძლია პროდუქტის ჰერმეტიულობის დარღვევის განპირობება.

არასაკმარისი ტვირთამწეობისას, შესაძლოა პროდუქტი მოეშვას და ჩამოვარდეს.

ამასთან ჩართვის ჰერმეტიულობის წარმოქმნილმა დარღვევამ შეიძლება შექმნას საფრთხე სიცოცხლისთვის.

- ▶ დარწმუნდით, რომ პროდუქტი თანაბარ სამონტაჟო ზედაპირზე ყენდება.
- ▶ დარწმუნდით, რომ სამონტაჟო ზედაპირს გააჩნია პროდუქტისათვის შესაბამისი ტვირთამწეობა.

### 1.3.10 ძალიან მაღალი წნევა

წყლის ძალიან მაღალმა წნევამ შეიძლება დააზიანოს ნაწარმი და, ამგვარად გამოიწვიოს ტრავმა.

**მოქმედების ვადა:** ნაწარმი ნომინალური ჭარბი წნევით > 6 ბარი

- ▶ დააყენეთ წნევის რეგულატორი ცივი წყლის შესასვლელთან რაც შეიძლება ახლოს ნაწარმზე.
- ▶ გაითვალისწინეთ წნევის რეგულატორის თავისებურება და დაიცავით დამონტაჟების მითითებები.
- ▶ დააყენეთ ოპციური ჯგუფი ცივი წყლის შესასვლელთან რაც შეიძლება ახლოს ნაწარმზე.



- უსაფრთხოების ჯგუფის (კვანძის) აუცილებელი კომპონენტები: დამცავი სარქველი, ჩამკეტი ონკანი, უკუსარქველი და განულების ხაზი

- ▶ განულების ხაზი დააყენეთ დასაღვრელი ხაზის ძაბრზე ისე, რომ განულების ხაზი დარჩეს ღია ატმოსფერის მიმართ.
- ▶ დასაღვრელი ხაზი დაამონტაჟეთ გაუყინავ ადგილას კანალიზაციისკენ მუდმივი დანრილობით.
- ▶ ექსპლუატირების მხარეს შეატყობინეთ დამცავი სარქველის მუდმივად ხელით ამუშავების საჭიროების შესახებ.

### 1.3.11 დამცავი სარქველი

- ▶ მუშაობის დროს დამცავი სარქველიდან შეიძლება ცხელი წყალი წვეთავდეს.
- ▶ დამცავი სარქველი უნდა დარჩეს ღია ატმოსფერიდან გამომდინარე.

### 1.3.12 დაზიანებული ქსელის კაბელის გამოცვლა

- ▶ თუ ამ პროდუქტის ქსელის კაბელი დაზიანდება, ის უნდა გამოიცვალოს მწარმოებლის/მისი კლიენტთა მომსახურების სამსახურის/კვალიფიცირებული პირის მიერ, რათა თავიდან იქნას აცილებული რისკები.

## 1.4 რეგულაციები (სახელმძღვანელოები, კანონები, ნორმები)

- ▶ ყურადღება მიაქციეთ ეროვნულ რეგულაციებს, ნორმებს, დებულებებს, დადგენილებებსა და კანონებს.

## 2 დოკუმენტაციასთან არსებული შენიშვნები

### 2.1 გაითვალისწინეთ თანდართული დოკუმენტები

- ▶ აუცილებლად მიაქციეთ ყურადღება ყველა საოპერაციო და საინსტალაციო ინსტრუქციას, რომელიც თან ერთვის სისტემის კომპონენტებს.

### 2.2 შეინახეთ დოკუმენტაცია

- ▶ გადაეცით ეს ინსტრუქცია, ისევე როგორც ყველა შესაბამისი დოკუმენტაცია, დანადგარის უშუალო მომხმარებელს.

### 2.3 მოქმედების ვადა, ინსტრუქცია

წინამდებარე სახელმძღვანელოს თარგმანის ეს ვერსია ვრცელდება მხოლოდ საქართველოზე.

#### პროდუქტი - არტიკულის ნომერი

|                 |            |
|-----------------|------------|
| DT4-B 50 INT II | 8000031392 |
| DT4-B 65 INT II | 8000031394 |
| DT4-B 80 INT II | 8000031388 |

## 3 პროდუქტის მიმოხილვა

### 3.1 პროდუქტის დასახელება

მოცემული ნაწარმი წარმოადგენს ელექტრო ცხელი წყლის ავზი, დაკეტილი.

### 3.2 ქარხნული ნიშნული

ქარხნული ნიშანი მოთავსებულია პროდუქტის ქვედა მხარეს.

ტიპის ნიშნულზე მოცემულია შემდეგი მონაცემები:

| მონაცემი                  | მნიშვნელობა  |
|---------------------------|--|
| სერიული ნომერი            | იდენტიფიკაციისთვის   |
| DT4-B XX II               | პროდუქტის დასახელება                                       |
| ლ                         | შევსების რაოდენობა   |
| ვტ                        | სიმძლავრე  |
| ვ                         | სამუშაო ძაბვა  |
| ჰც                        | სიხშირე  |
| MPa (bar)                 | წნევა  |
| IP xx                     | დაცვის ტიპი  |
| CE-საიდენტიფიკაციო ნომერი | მოწყობილობა შეესაბამება ევროპულ სტანდარტებს და დირექტივებს |
| ნაგვის კონტეინერი         | მოწყობილობის სწორი უტილიზაცია                              |

## 3.3 CE-საიდენტიფიკაციო ნომერი



CE-საიდენტიფიკაციო ნომრით დოკუმენტირდება, რომ პროდუქტი შეესაბამება შესაბამისობის დეკლარაციას და აკმაყოფილებს ყველა აუცილებელ მოთხოვნასა და ნორმას.

შესაბამისობის დეკლარაციას შეგიძლიათ გაეცნოთ მწარმოებელთან.

### 3.4 აწყობა

ავზი გარედან დაფარულია თბოიზოლაციით. ავზის კონტეინერი შედგება ემალირებული ფოლადისაგან. ავზში არის გამათბობელი ელემენტები, რომლებიც სითბოს გამოყოფს. დამატებით, კოროზიისაგან დასაცავად, ავზი აღჭურვილია მაგნიუმის დამცავი ანოდით.

### 3.5 შეფუთვის, ტრანსპორტირებისა და დასაწყობების წესები

პროდუქტების მოწოდება ქარხნული შეფუთვით ხორციელდება.

პროდუქტების ტრანსპორტირება ხორციელდება მოქმედი სახელეუბრო, საზღვაო და სარკინიგზო სატვირთო გადაზიდვების ფარგლებში. ტრანსპორტირების დროს აუცილებელია პროდუქტის მყარად დაფიქსირება და როგორც ჰორიზონტალური, ისე ვერტიკალური ცვლილებებისაგან დაცვა.

დაუყენებელი პროდუქტების შენახვა ქარხნულ შეფუთვაში უნდა მოხდეს. პროდუქტი ჰაერის ბუნებრივი ცირკულაციის პირობების მქონე დახურულ ოთახში, სტანდარტული შენახვის პირობებით უნდა ინახებოდეს. (არა აგრესიული და მტვრისაგან სუფთა გარემო, ტემპერატურის  $-10^{\circ}\text{C}$  დან  $+37^{\circ}\text{C}$ -მდე გრადიენტი, ჰაერის ტენიანობის ტემპერატურის გრადიენტი 80%-მდე, დარტყმის და ვიბრაციების გარეშე).

### 3.6 შენახვის ვადა

– შენახვის ვადა: 2 წელი წარმოებიდან

### 3.7 შენახვის ვადა

ტრანსპორტირების, შენახვის, მონტაჟისა და ექსპლუატაციისათვის შესაბამისი რეგულაციების გათვალისწინებით, პროდუქტის მოქმედების ვადა შეადგენს მონტაჟიდან 15 წელს.

## 4 მონტაჟი

### 4.1 შეამოწმეთ მიწოდებული პაკეტი

| რაოდენობა | დეტალი                                  |
|-----------|---|
| 1         | ცხელი წყლის ავზი                        |
| 1         | მოწყობილობის დამჭერი                    |
| 1         | დამცავი სარქველი                        |
| 4         | ხრახნი                                  |
| 4         | განმბჯენი                               |
| 4         | ქვესადები საყელურები                    |
| 1         | გამყოფი                                 |
| 1         | რეგულირების ჭანჭიკი                     |
| 1         | განულების ხაზი                          |
| 1         | მოქმედების ინსტრუქცია                   |
| 1         | მონტაჟისა და ტექნომსახურების ინსტრუქცია |

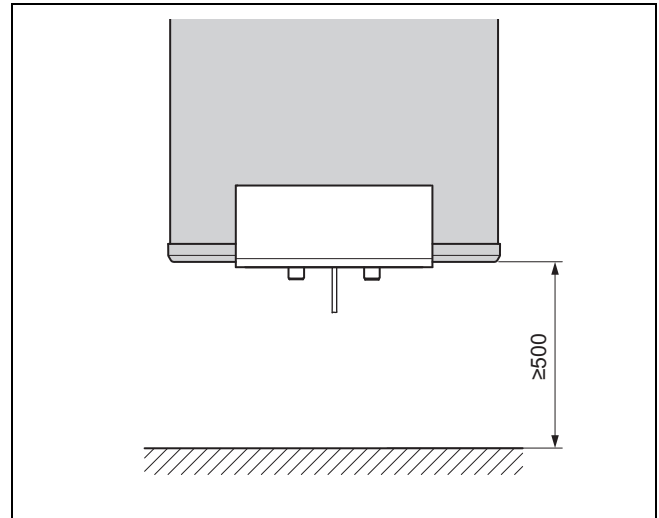
### 4.2 მოთხოვნები სამონტაჟო ადგილისათვის

- ▶ მონტაჟის ადგილი ისე აირჩიეთ, რომ შეიძლებოდეს ყველა საჭირო ინჟინერული გაყვანილობის შესრულება.
- ▶ დააყენეთ პროდუქტი გაუყინავ და მშრალ ადგილას.
- ▶ დარწმუნდით, რომ კედელი თანაბარია, ვერტიკალურია და მყარია.
- ▶ დარწმუნდით, რომ კედლის, ისევე როგორც გამოყენებადი განმბჯენების და ხრახნების წვეადობა საკმარისია, რათა გაუძღონ სრულ (სამუშაო) მასას.
- ▶ დარწმუნდით, რომ გამოყენებადი განმბჯენები და ხრახნები ვარგისია კედელზე დასამონტაჟებლად.

### 4.3 სამონტაჟო ადგილის მიხედვით ელექტრომონტაჟის მოთხოვნები

- ▶ დარწმუნდით, რომ პროდუქტი შეგიძლიათ დაამონტაჟოთ ელექტროუსაფრთხოების 0-2 ზონის გარეთ.
- ▶ დარწმუნდით, რომ ბინაში ელექტროგაყვანილობა აღჭურვილია დამიწების კაბელით.
- ▶ დარწმუნდით, რომ ელექტროქსელი ვარგისია მოცემული პროდუქტისთვის.
  - ძაბვა: 230 ვ/50 ჰც
- ▶ დარწმუნდით, რომ დამცავი ამომრთველი ვარგისია გათვლილი დენისთვის.
  - ნომინალური დენი: 16 ა

### 4.4 მინიმალური მანძილების გათვალისწინება



- ▶ მონტაჟისას დაიცავით მინიმალური მანძილები.

### 4.5 პროდუქტის მონტაჟი

1. მონტაჟისას გაითვალისწინეთ ელექტროკაბელის სიგრძე, მინიმალური მანძილი კედლიდან, იატაკიდან და ჭერიდან და ელექტროუსაფრთხოების დასაშვები ზონა.

**მართვა:** ცარიელი ბლოკის კედელი

- ▶ დაამონტაჟეთ პროდუქტი სპეციალური ამძრავი კონსტრუქციით.
2. პროდუქტის სამუშაო მასაზე და სამონტაჟო ზედაპირზე დამოკიდებულად აირჩიეთ შესაბამისი სამაგრი ელემენტები, მაგ.: განმბჯენები და ხრახნები.
  3. დარწმუნდით, რომ განმბჯენები და ხრახნები ვარგისია პროდუქტის სამონტაჟო ზედაპირისთვის.
  4. გამოიყენეთ სამონტაჟო შაბლონი, რომელიც დაბეჭდილია შეფუთვაზე.
  5. ამოხრახნეთ ხვრელი.
  6. ჩასვით განმბჯენები ხვრელებში და ჩაახრახნეთ ხრახნები.
    - მანძილი ხრახნიდან კედლამდე:  $\approx 30$  მმ
  7. დაამაგრეთ დამჭერი.
  8. მიამაგრეთ განმბჯენი კედელს ხრახნით ავზის ქვედა ნაწილში.
  9. რეგულირების ჭანჭიკით გაასწორეთ პროდუქტი კედლის პარალელურად.
  10. გაასწორეთ დამჭერი ვერტიკალურად და მჭიდროთ მოუჭირეთ ხრახნებს.
  11. ჩამოკიდეთ პროდუქტი კავებით დამჭერებზე.

## 4.6 პროდუქტის მონტაჟი

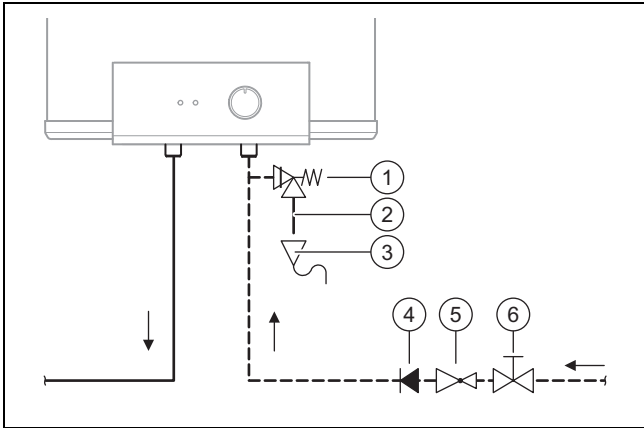


### გაფრთხილება!

### დაბინძურებული სასმელი წყლის გამო ჯანმრთელობის საფრთხის რისკი!

იზოლაციის ნარჩენებს, დაბინძურებას ან სხვა საგნებს მიღვან გაყვანილობაში შეუძლიათ სასმელი წყლის ხარისხის გაუარესება.

- ▶ პროდუქტის მონტაჟამდე საფუძვლიანად გაავლეთ ყველა ცივი და თბილი წყლის გაყვანილობა.



- |                       |                       |
|-----------------------|-----------------------|
| 1 დამცავი სარქველი    | 4 უკუსარქველი (ოპცია) |
| 2 განულების ხაზი      | 5 რედუქტორი (ოპცია)   |
| 3 კანალიზაცია (ოპცია) | 6 ჩამკეტი სარქველი    |

- დაამონტაჟეთ კომპონენტები (1) – (6) როგორც ნაჩვენებია სურათზე.
- დამცავი მოწყობილობა დაამონტაჟეთ პროდუქტზე რაც შეიძლება ახლოს ცივი წყლის შემყვანთან.
- დაამონტაჟეთ ჩამოსაშვები ხაზი მუდმივი დახრით.
- დაიცავით მანძილი მცველი სარქველის სადრენაჟო ხაზსა და ჩამოსაშვებ ძაბრს შორის ისე რომ სადრენაჟო ხაზი დაკავშირებული იყოს ატმოსფეროსთან.
  - დაშორება:  $\geq 20$  მმ
- დარწმუნდით, რომ სადრენაჟო ხაზს აქვს მინიმუმ ისეთივე დიამეტრი როგორც მცველი სარქველის ჩამოსაშვებ ხაზს.
- თუ პროდუქტის შესასვლელში დინამიური წნევა ძალიან მაღალია, დაამონტაჟეთ რედუქტორი.
  - დინამიური წნევა პროდუქტის შესასვლელში:  $\geq 0,6$  მპა
  - წნევის დაყენება: 0,3 to 0,4 მპა

## 5 ელექტრომონტაჟი

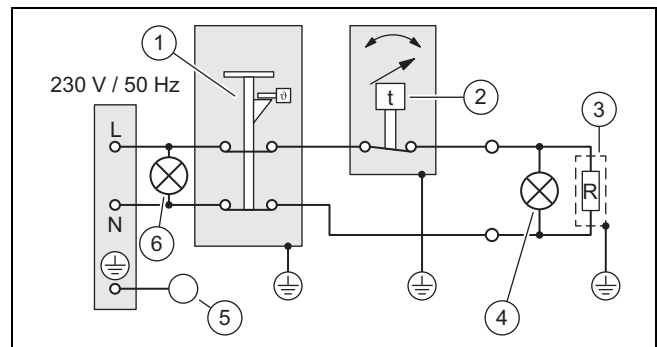
ელექტრომონტაჟი ნებადართულია მხოლოდ კვალიფიცირებული ელექტრიკოსის მიერ.

### 5.1 პროდუქტის შეერთება

- დარწმუნდით, რომ პროდუქტი არ ჩართეთ ელექტროქსელში მის ექსპლუატაციაში შეყვანამდე.
- პროდუქტის ელექტროჩართვისთვის გამოიყენეთ კაბელი H 05 VV-F 3 G 1,0 mm<sup>2</sup>.
- გამორთეთ ელექტროკვება.
- შეამოწმეთ ძაბვის არარსებობა.
- დაიცავით დენმომარაგების ხელმეორე ჩართვისაგან.
- დაამიწეთ წყლის გამათბობელის ავზი.
- არ გამოიყენოთ მილსადენები დამიწებისთვის.
- უზრუნველყავით ჯაჭვის დაცვა დამცავი ამომრთვის მოწყობილობის მეშვეობით.
  - ნომინალური დენი:  $\geq 16$  ა
- გამორთეთ დამცავი ამომრთველი.
- ჩართეთ დამაკავშირებელი ელექტროკაბელები.

### 5.1.1 დამაკავშირებელი ელექტროკაბელების ჩართვა

#### 5.1.1.1 ერთფაზიანი შეერთება 230 V ~



- |   |                                 |
|---|---------------------------------|
| 1 უსაფრთხოების ტემპერატურის შემზღვეველი | 4 გათბობის შუქდიოდი             |
| 2 თერმოსტატი                            | 5 დამიწება                      |
| 3 გამაცხელებელი ელემენტი 1,8 კვტ        | 6 ელექტროქსელის ძაბვის შუქდიოდი |

## 6 პირველადი ექსპლუატაცია

პირველადი შეყვანა ექსპლუატაციაში უნდა განახორციელოს მხოლოდ ტექნიკური მომსახურების სამსახურმა.

## 6.1 ექსპლუატაციაში მოყვანა

1. გახსენით ცივი წყლის ჩამკეტი სარქველი.
2. გახსენით ცხელი წყლის ონკანები.
3. დაელოდეთ, სანამ წყალი არ გამოვა ცხელი წყლის ონკანებიდან.
4. დაკეტეთ ცხელი წყლის ონკანები.
5. შეამოწმეთ დამცავი სარქველი, დასაცლელი ონკანის გახსნით.
  - ◁ დასაღვრელი ონკანიდან უნდა გამოვიდეს წყალი.
6. ყველა მილოანი შეერთება იზოლაციაზე შეამოწმეთ.
7. ჩართეთ მთავარი ამომრთველი.
8. ჩართეთ დამცავი ამომრთველი.



### საფრთხე!

#### სიცოცხლის საფრთხე ლეგიონელოზის მიზეზით!

ლეგიონელები ვითარდებიან 60 °C-ზე დაბალი ტემპერატურის წყალში.

- ▶ დარწმუნდით, რომ საბოლოო მომხმარებელმა იცის ლეგიონელოზის წინააღმდეგ დამცავი ღონისძიებების შესახებ, რომ შეასრულოს მოქმედი შესაბამისი პროფილაქტიკური სამუშაოები.

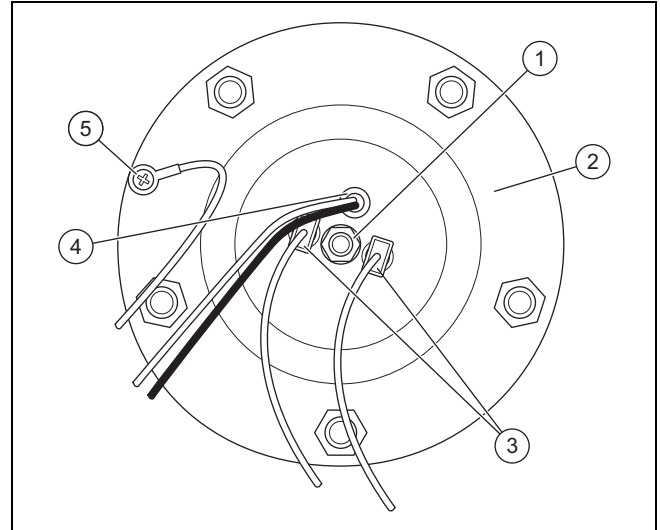
9. დააყენეთ ტემპერატურის სასურველი მნიშვნელობა.
  - ტემპერატურული დიაპაზონი: 10 to 75 °C
  - ◁ გათბობის სიმბოლო უნდა ენთოს მანამდე, სანამ არ იქნება მიღწეული წყლის საჭირო ტემპერატურა.
10. დაელოდეთ, სანამ ამოიწურება გაცხელების დრო, ვიდრე პროდუქტს უკან ნორმალურ რეჟიმზე გადართავდეთ.

## 7 პროდუქტის უშუალო მომხმარებელზე გადაცემა

- ▶ ასწავლეთ მომხმარებელს პროდუქტის მართვა. უპასუხეთ ყველა მის შეკითხვას. ყურადღება გაამახვილეთ მომხმარებლისათვის გასათვალისწინებელ უსაფრთხოების მაჩვენებლებზე.
- ▶ გააცანით მომხმარებელს პროდუქტის უსაფრთხოების ობიექტების განლაგება და ფუნქცია.
- ▶ შეატყობინეთ მომხმარებელს ცხელი წყლის ტემპერატურის შეზღუდვის შესაძლებლობების შესახებ, წყალგამყოფ წერტილზე დაორთქვლის თავიდან აცილებისთვის.
- ▶ აცნობეთ მომხმარებლებს იმის შესახებ, რომ პროდუქტს მოცემული ინტერვალების თანახმად, ტექნიკური მომსახურება ესაჭიროება.
- ▶ გადაეცით მომხმარებელს ყველა მისთვის განკუთვნილი ინსტრუქცია და დანადგარის დოკუმენტაცია შესაბამისად.

## 8 ტექნიკური მომსახურება

### 8.1 შეამოწმეთ მაგნიუმის დამცავი ანოდი



- |                                   |                           |
|-----------------------------------|---------------------------|
| 1. გამაცხელებელი ელემენტის ზრახნი | 3. გამაცხელებელი ელემენტი |
| 2. მილტუჩა ექვსწახნაგა ჭანჩით     | 4. თერმოსტატი             |
|                                   | 5. დამიწების კაბელი       |

1. ჩართეთ პროდუქტი ძაბვის გარეშე. (→ გვერდი 31)
2. დაცალეთ პროდუქტი. (→ გვერდი 31)

### მილტუჩის მოხსნა

3. ამოხრახნეთ მილტუჩის თავსახურის ჭანჭიკები.
4. მოუშვით დამიწების კაბელი მილტუჩიდან.
5. მოხსენით შტეკერები გამათბობელ ელემენტებს.
6. ამოიღეთ თერმოსტატი.
7. ამოხრახნეთ მილტუჩის ექვსწახნაგა ჭანჭიკები.
8. ამოიღეთ მილტუჩი პირდაპირ ავზიდან.

### მაგნიუმის დამცავი ანოდის გამოცვლა

9. გამოცვალეთ მაგნიუმის დამცავი ანოდი, თუ ძალიან გაცვეთილია.
  - ცვეთა: 60 %

### მილტუჩის მონტაჟი

10. გამოცვალეთ მილტუჩის შემამჭიდროებელი.
11. მიხრახნეთ მილტუჩი.
12. მიხრახნეთ დამიწების კაბელი.
13. ჩასვით თერმოსტატი ამისთვის გათვალისწინებულ ხვრელში.
14. შეაერთეთ შტეკერები გამათბობელ ელემენტებში.
15. მოუჭირეთ პროდუქტის თავსახურს.
16. ჩაუშვით პროდუქტი ექსპლუატაციაში. (→ გვერდი 30)

## 8.2 შიდა რეზერვუარის და დეტალების შემოწმება ნადების არსებობაზე

1. ჩართეთ პროდუქტი ძაბვის გარეშე. (→ გვერდი 31)
2. დაცალეთ პროდუქტი. (→ გვერდი 31)
3. მოხსენით მილტუჩი. (→ გვერდი 30)
4. საჭიროების შემთხვევაში გაწმინდეთ შიდა რეზერვუარი ნადების მოშორების საშუალებებით ან ხის ჯოხით ნაწი მოფხვკით.
5. შეასრულეთ მილტუჩის მონტაჟი. (→ გვერდი 30)
6. საჭიროების შემთხვევაში გამოცვალეთ დეტალები.
7. ჩაუშვით პროდუქტი ექსპლუატაციაში. (→ გვერდი 30)

## 9 ხარვეზების აღმოჩენა და აღმოფხვრა

### 9.1 გაუმართავი თერმოსტატის შეცვლა

1. ჩართეთ პროდუქტი ძაბვის გარეშე. (→ გვერდი 31)
2. მოუშვით მილტუჩის საფარის ხრახნები.
3. ამოიღეთ გაუმართავი თერმოსტატი.
4. ჩასვით ახალი თერმოსტატი გათვალისწინებულ ნახვრეტში.
5. მოუჭირეთ პროდუქტის საფარს.
6. ჩაუშვით პროდუქტი ექსპლუატაციაში. (→ გვერდი 30)

### 9.2 გაუმართავი გამათბობელი ელემენტის გამოცვლა

1. ჩართეთ პროდუქტი ძაბვის გარეშე. (→ გვერდი 31)
2. დაცალეთ პროდუქტი. (→ გვერდი 31)
3. მოხსენით მილტუჩი. (→ გვერდი 30)
4. მოუშვით გაუმართავი გამათბობელი ელემენტი მილტუჩიდან.
5. მიახრახნეთ ახალი გამათბობელი ელემენტი მილტუჩს.
6. შეასრულეთ მილტუჩის მონტაჟი. (→ გვერდი 30)
7. ჩაუშვით პროდუქტი ექსპლუატაციაში. (→ გვერდი 30)

### 9.3 შეცდომების და გაუმართაობის შესახებ შეტყობინებების მიმოხილვა

უწესივრობების და შეცდომების შუქდიოდური ინდიკაცია (→ გვერდი 33)

## 10 ექსპლუატაციიდან გამოყვანა

### პროდუქტის ძაბვის გამორთვა



**საფრთხე!**

**ელექტრული დენით დაზიანების საფრთხე**

დაბალი ძაბვის ქსელში ჩართულ ელექტრულ კომპონენტებზე სამუშაოების შესრულებისას ჩნდება დენით დაზიანების საფრთხე.

- ▶ გამოაერთეთ პროდუქტი დენმომარაგებიდან.

- ▶ დაიცავით პროდუქტი ხელახალი ჩართვისგან.
- ▶ შეამოწმეთ, რომ პროდუქტზე არ იყოს ძაბვა.
- ▶ გახსენით პროდუქტი მხოლოდ დენიდან გამორთვის შემდეგ.

- ▶ გამორთეთ ქსელის კვების კაბელი.

### პროდუქტის დაცლა

1. ჩაკეტეთ ცივი წყლის ჩამკეტი სარქველი.
2. გახსენით ცხელი წყლის ონკანი, რომელიც ჩართულია პროდუქტთან.
3. გამორთეთ ცივი წყლის წყალსადენი პროდუქტიდან.
4. გავლეთ ცხელი წყლის ავზი პროდუქტის ცივი წყლის წყალსადენიდან.

### პროდუქტის მოხსნა

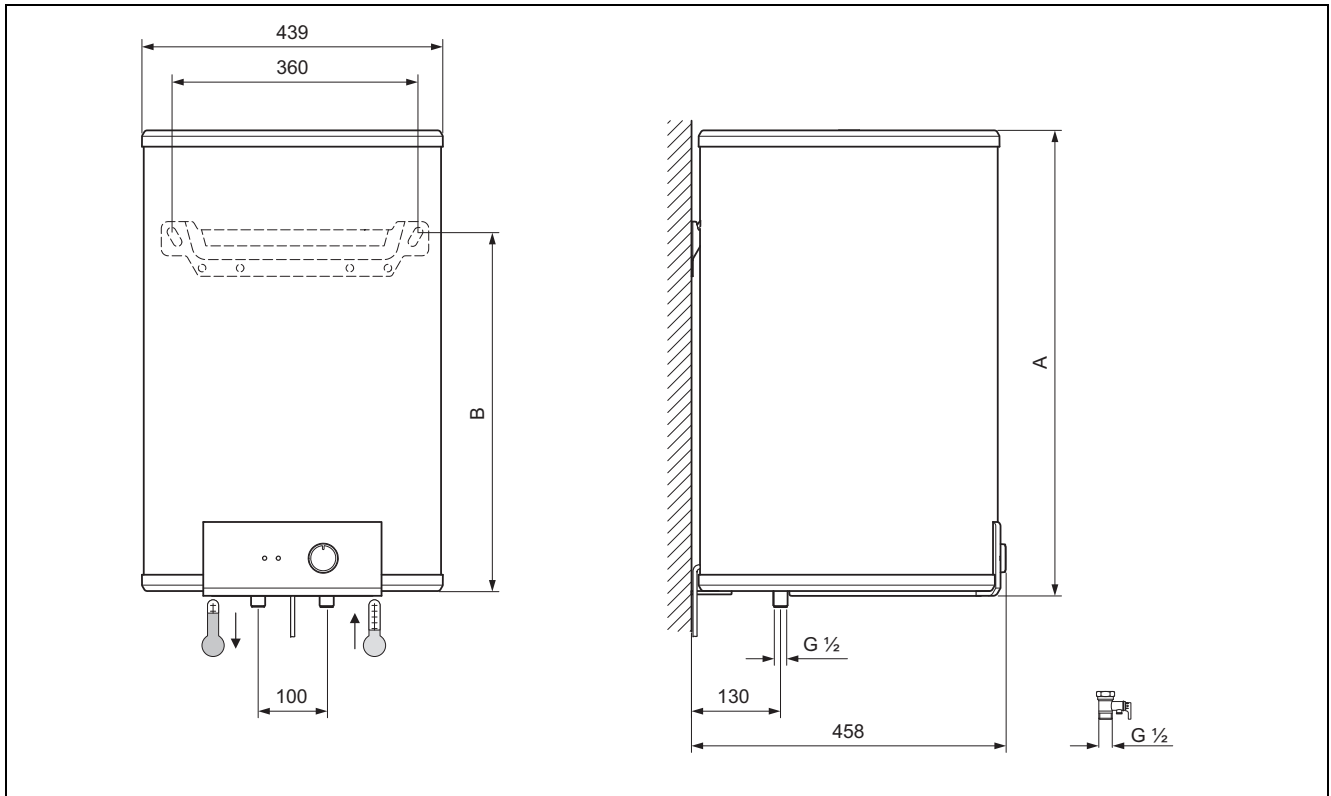
5. მოხსენით ცივი და ცხელი წყლის მილსადენები.
6. მოუშვით ხრახნები.
7. აწიეთ პროდუქტი და მოხსენით კედლიდან.
8. ამოხრახნეთ ხრახნები კედლიდან.

## 11 კლიენტთა მომსახურება

ჩვენი კლიენტთა სამსახურის საკონტაქტო მონაცემები შეგიძლიათ იხილოთ უკანა მხარეს მოცემული მისამართის ქვემოთ.

## დანართი

### A გაბარიტები და ზომების ნახაზი



#### ზომები

|                 | A      | B      |
|-----------------|--------|--------|
| DT4-B 50 INT II | 555 მმ | 408 მმ |
| DT4-B 65 INT II | 680 მმ | 533 მმ |
| DT4-B 80 INT II | 805 მმ | 658 მმ |

### B ტექნიკური მონაცემები

|                 | გასამართი მოცულობა | სრული (სამუშაო) მასა | საკუთარი მასა | სიმძლავრე | მაგისტრალური ძაბვა |
|-----------------|--------------------|----------------------|---------------|-----------|--------------------|
| DT4-B 50 INT II | 50 ლ               | 67 კგ                | 17 კგ         | 1,8 კვტ   | 230 ვ              |
| DT4-B 65 INT II | 65 ლ               | 85 კგ                | 20 კგ         | 1,8 კვტ   | 230 ვ              |
| DT4-B 80 INT II | 77 ლ               | 101 კგ               | 24 კგ         | 1,8 კვტ   | 230 ვ              |

|                 | დამცავი კლასი | დაცვის ტიპი |
|-----------------|---------------|-------------|
| DT4-B 50 INT II | I             | IP24        |
| DT4-B 65 INT II | I             | IP24        |
| DT4-B 80 INT II | I             | IP24        |

## B.1 ტექნიკური მონაცემები - ზოგადი

|             |  |
|-------------|--|
| თბოიზოლაცია | პოლიურეტანის ქაფი, რომელიც არ შეიცავს ფტორქლორნახშირწყალბადებს |
| შიდა ავზი   | ლითონი, მომინანქრებული, მაგნიუმის დამცავი ანოდით               |

## C უწესივრობების და შეცდომების შუქდიოდური ინდიკაცია

| მაჩვენებელი                   | მიზეზი                     | ხარვეზის აღმოფხვრა   |
|-------------------------------|----------------------------|--|
| გათბობის შუქდიოდური ციმციმებს | არაკლასიფიცირებული შეცდომა | შეამოწმეთ მთელი სისტემა დეფექტური ნაწილების არსებობაზე.<br>შეცვალეთ გაუმართავი კომპონენტი. |

# Instrucțiuni de instalare și întreținere

## Cuprins

|                    |   |           |
|--------------------|---|-----------|
| <b>1</b>           | <b>Securitate</b> .....   | <b>35</b> |
| 1.1                | Indicații de atenționare referitoare la acțiune.....  | 35        |
| 1.2                | Utilizarea preconizată .....  | 35        |
| 1.3                | Instrucțiuni generale de siguranță .....  | 35        |
| 1.4                | Prescripții (directive, legi, norme) .....  | 37        |
| <b>2</b>           | <b>Indicații privind documentația</b> .....   | <b>38</b> |
| 2.1                | Respectarea documentației conexe .....  | 38        |
| 2.2                | Păstrarea documentației.....  | 38        |
| 2.3                | Valabilitatea instrucțiunilor .....   | 38        |
| <b>3</b>           | <b>Vedere de ansamblu asupra produsului</b> .....   | <b>38</b> |
| 3.1                | Denumirea aparatului .....  | 38        |
| 3.2                | Plăcuța de timbru.....  | 38        |
| 3.3                | Caracteristica CE.....  | 38        |
| 3.4                | Construcția.....  | 38        |
| 3.5                | Reguli privind ambalarea, transportul și depozitarea .....                                  | 38        |
| 3.6                | Data de producție .....   | 38        |
| 3.7                | Durata de depozitare .....  | 38        |
| 3.8                | Durata de viață .....   | 38        |
| <b>4</b>           | <b>Asamblare</b> .....  | <b>38</b> |
| 4.1                | Verificarea setului de livrare .....  | 38        |
| 4.2                | Cerințe legate de locul de instalare .....  | 39        |
| 4.3                | Cerințe privind instalația electrică a spațiului pentru montaj.....                         | 39        |
| 4.4                | Respectarea distanțelor minime .....  | 39        |
| 4.5                | Montarea produsului .....   | 39        |
| 4.6                | Instalarea produsului .....   | 39        |
| <b>5</b>           | <b>Instalația electrică</b> .....   | <b>40</b> |
| 5.1                | Conectarea produsului .....   | 40        |
| <b>6</b>           | <b>Prima punere în funcțiune</b> .....  | <b>40</b> |
| 6.1                | Punerea în funcțiune.....   | 40        |
| <b>7</b>           | <b>Predarea aparatului către utilizator</b> .....   | <b>40</b> |
| <b>8</b>           | <b>Întreținerea</b> .....   | <b>41</b> |
| 8.1                | Verificarea anodului de magneziu .....  | 41        |
| 8.2                | Verificarea rezervorului intern și a componentelor cu privire la depunerile de calcar ..... | 41        |
| <b>9</b>           | <b>Recunoașterea și remedierea erorilor</b> .....   | <b>41</b> |
| 9.1                | Înlocuirea termostatului defect.....  | 41        |
| 9.2                | Înlocuirea elementului de încălzire defect .....  | 41        |
| 9.3                | Prezentarea generală a mesajelor de eroare și de avarie .....                               | 41        |
| <b>10</b>          | <b>Dezafectare</b> .....  | <b>41</b> |
| <b>11</b>          | <b>Serviciul de asistență tehnică</b> .....   | <b>42</b> |
| <b>Anexă</b> ..... | <b>43</b>   |           |
| <b>A</b>           | <b>Dimensiuni și desen cotate</b> .....   | <b>43</b> |
| <b>B</b>           | <b>Date tehnice</b> .....   | <b>43</b> |
| B.1                | Date tehnice – Aspecte generale.....  | 44        |
| <b>C</b>           | <b>Afișajul cu LED-uri pentru avarii și erori</b> .....                                     | <b>44</b> |

# 1 Securitate

## 1.1 Indicații de atenționare referitoare la acțiune

### Clasificarea indicațiilor de atenționare referitoare la acțiune

Indicațiile de atenționare referitoare la acțiune sunt clasificate în felul următor cu semne de atenționare și cuvinte de semnal referitor la gravitatea pericolului posibil:

#### Semne de atenționare și cuvinte de semnal



##### Pericol!

Viața pusă nemijlocit în pericol sau pericol de vătămări grave



##### Pericol!

Pericol de electrocutare



##### Atenționare!

Pericol de accidentări ușoare ale persoanelor



##### Precauție!

Risc de pagube materiale sau poluare

## 1.2 Utilizarea preconizată

La utilizarea improprie sau neconformă cu destinația pot rezulta pericole pentru sănătatea și viața utilizatorilor sau a terților resp. deteriorări ale aparatului și alte pagube materiale.

Aparatul este destinat generării și furnizării de apă potabilă încălzită pentru locuințe.

- Temperatura max. a apei calde: 75 °C

Montarea poate fi efectuată exclusiv în poziție verticală pe perete.

Funcționarea aparatului este permisă numai cu grupa de siguranță încorporată.

Utilizarea corespunzătoare conține:

- respectarea instrucțiunilor de exploatare, instalare și întreținere alăturate ale produsului, cât și ale altor componente ale instalației
- respectarea tuturor condițiilor de inspecție și întreținere prezentate în instrucțiuni.

Utilizarea aparatului în autovehicule, ca de ex. locuințe mobile sau rulote este neconformă cu destinația. Nu sunt considerate autovehicule acele unități, care sunt insta-

late durabil și staționar (așa-numita instalare staționară).

O altă utilizare decât cea descrisă în instrucțiunile prezente sau o utilizare care o depășește pe cea descrisă aici este neconformă cu destinația. Neconformă cu destinația este și orice utilizare comercială și industrială directă.

### Atenție!

Este interzisă orice utilizare ce nu este conformă cu destinația.

## 1.3 Instrucțiuni generale de siguranță

### 1.3.1 Pericol cauzat de calificarea insuficientă

Următoarele lucrări trebuie efectuate doar de o persoană competentă, care este suficient de calificată:

- Asamblare
  - Demontare
  - Instalarea
  - Punerea în funcțiune
  - Inspecția și întreținerea
  - Reparație
  - Scoaterea din funcțiune
- Procedați conform tehnologiei de ultimă oră.

### 1.3.2 Pericol de electrocutare

Există pericol de electrocutare dacă atingeți componentele aflate sub tensiune.

Înainte de a interveni asupra produsului:

- Deconectați produsul de la tensiune prin oprirea tuturor alimentărilor cu curent electric pe toate liniile (dispozitiv de separare electrică cu o deschidere a contactului de minim 3 mm, de ex. siguranță sau întrerupător de protecție a cablului).
- Asigurați-vă că produsul nu poate reporni accidental.
- Verificați lipsa tensiunii.

### 1.3.3 Pericol de ardere sau de opărire cauzat de componente fierbinți

- Lucrați cu aceste subansambluri numai după răcirea lor.



### 1.3.4 Pericol de opărire și risc de deteriorări din cauza scurgerii apei fierbinți sau reci

- ▶ Dacă utilizați țevi din plastic pentru racordul de apă fierbinte sau de apă rece al aparatului, utilizați numai țevi cu o rezistență la temperaturi de până la 95 °C la o presiune de 1,0 MPa (10 bari).

### 1.3.5 Pericol de pagube materiale prin unelte neadecvate

- ▶ Utilizați o sculă corespunzătoare.

### 1.3.6 Pericol de pagube materiale cauzate de îngheț

- ▶ Nu instalați produsul în încăperi cu pericol de îngheț.

### 1.3.7 Pagube materiale cauzate de neetanșeități

- ▶ Asigurați-vă de faptul că nu rezultă tensiuni mecanice la cablurile de conectare.
- ▶ Nu prindeți greutăți de conducte (de ex. îmbrăcăminte).

### 1.3.8 Pericol de moarte cauzat de lipsa sau de montarea greșită a componentelor unei grupe de siguranță

Componentele lipsă sau montate greșit ale unei grupe de siguranță (de exemplu, supapa de siguranță, supapa de reținere, reductorul de presiune) pot provoca opăririi care pun în pericol viața, precum și alte răniri.

- ▶ Montați componentele necesare ale grupeii de siguranță.
- ▶ Nu montați accesorii hidraulice între grupa de siguranță și țeava de apă rece a boilerului pentru apă caldă.
- ▶ Informați utilizatorul cu privire la funcționarea și poziția grupeii de siguranță.

### 1.3.9 Pagube materiale cauzate de suprafața de montaj inadecvată

Suprafața de montaj trebuie să fie plană și cu capacitate portantă suficientă pentru masa operațională a produsului. Denivelările suprafeței de montaj pot cauza neetanșeități ale produsului.

Este posibilă desprinderea și căderea produsului la o capacitate portantă insuficientă.

Neetanșeitățile racordurilor pot reprezenta pericol de moarte.

- ▶ Asigurați-vă de faptul că produsul este așezat plan pe suprafața de montaj.
- ▶ Asigurați-vă de faptul că suprafața de montaj are capacitate portantă suficientă pentru masa operațională a produsului.

### 1.3.10 Presiune prea mare a apei

O presiune prea mare a apei poate deteriora aparatul și poate provoca răniri.

**Valabilitate:** Aparat cu suprapresiune de măsurare > 6 bari

- ▶ Instalați un regulator de presiune cât mai aproape de intrarea apei reci a aparatului.
- ▶ Țineți cont de caracteristicile speciale ale regulatorului de presiune, precum și de detaliile procesului de instalare.
- ▶ Instalați o grupă de siguranță opțională cât mai aproape de intrarea apei reci a aparatului.
  - Componentele necesare ale grupeii de siguranță: Supapă de siguranță, robinet, ventil dublu de retur și conductă de purjare
- ▶ Montați conducta de purjare deasupra pâlniei conductei de scurgere astfel încât conducta de purjare să rămână deschisă către aerul liber.
- ▶ Montați conducta de scurgere într-un mediu ferit de îngheț, cu o pantă descendentă constantă către o scurgere.
- ▶ Atrageți atenția utilizatorului să verifice manual, cu regularitate, funcționarea supapei de siguranță.


### 1.3.11 Supapă de siguranță

- ▶ În timpul funcționării, poate picura apă fierbinte din supapa de siguranță.
- ▶ Supapa de siguranță trebuie să fie lăsată deschisă către aerul liber.


### 1.3.12 Înlocuirea cablului de racordare la rețea deteriorat

- ▶ Pentru a se evita pericolele, dacă cablul de racordare la rețea al aparatului este deteriorat, acesta trebuie înlocuit de producă-





tor, de serviciul de asistență tehnică sau de către o persoană calificată.



### **1.3.13 PERICOL!**

- ▶ Risc de arsuri termice!
- ▶ Apa de la robinet poate avea temperatură mare!
- ▶ Pericol de electrocutare!
- ▶ Pentru echipamente conectate la rețeaua electrică!
- ▶ Înainte de instalare citiți cu atenție instrucțiunea de instalare!
- ▶ Înainte de punerea în funcțiune citiți cu atenție instrucțiunea de exploatare!
- ▶ Respectați cerințele de întreținere din instrucțiunea de exploatare!

### **1.4 Prescripții (directive, legi, norme)**

- ▶ Respectați prescripțiile, normele, directivele, reglementările și legile naționale.

## 2 Indicații privind documentația

### 2.1 Respectarea documentației conexe

- Respectați obligatoriu toate instrucțiunile de exploatare și instalare alăturate componentelor instalației.

### 2.2 Păstrarea documentației

- Predați atât aceste instrucțiuni, cât și toate documentațiile conexe utilizatorului instalației.

### 2.3 Valabilitatea instrucțiunilor

Această versiune lingvistică a instrucțiunilor este valabilă exclusiv pentru Moldova.

#### Aparat - număr articol

|                 |            |
|-----------------|------------|
| DT4-B 50 INT II | 8000031392 |
| DT4-B 65 INT II | 8000031394 |
| DT4-B 80 INT II | 8000031388 |

## 3 Vedere de ansamblu asupra produsului

### 3.1 Denumirea aparatului

Aparatul este o Acumulator electric pentru apă caldă, închis.

### 3.2 Plăcuța de timbru

Plăcuța cu date tehnice se află pe partea inferioară a aparatului.

Pe placa de construcție se află următoarele date:

| Indicație                | Semnificație  |
|--------------------------|---|
| Număr de serie           | pentru identificare                                   |
| DT4-B XX II              | Denumirea aparatului                                  |
| I                        | Cantitate de umplere                                  |
| W                        | Putere  |
| V                        | Tensiunea de exploatare                               |
| Hz                       | Frecvența   |
| MPa (bar)                | Presiune  |
| IP xx                    | Tip de protecție                                      |
| Caracteristica CE        | Aparatul corespunde normelor și directivelor europene |
| Recipient pentru deșeuri | salubritatea profesională a aparatului                |

### 3.3 Caracteristica CE



Prin caracteristica CE se certifică faptul că produsele îndeplinesc cerințele de bază ale directivelor în vigoare conform declarației de conformitate.

Declarația de conformitate poate fi consultată la producător.

## 3.4 Construcția

Boilerul este prevăzut cu o izolație termică în exterior. Rezervorul boilerului este fabricat din oțel emailat. În interiorul rezervorului există elemente de încălzire, care transmit căldura. Rezervorul are un anod de magneziu ca protecție suplimentară contra coroziunii.

## 3.5 Reguli privind ambalarea, transportul și depozitarea

Produsele sunt livrate în ambalajul producătorului.

Produsele sunt transportate pe cale rutieră, maritimă și feroviară cu respectarea regulilor privind transportul bunurilor, care sunt valabile pentru mijlocul de transport respectiv. Pe durata transportului este obligatorie o fixare sigură a produselor contra deplasărilor orizontale și verticale.

Produsele neinstalate sunt păstrate în ambalajul producătorului. Produsele trebuie depozitate în camere închise, cu circulație normală a aerului și în condiții standard (mediu neagresiv și fără praf, interval de temperatură între -10 °C și +37 °C, umiditatea aerului până la 80%, fără șocuri și vibrații).

## 3.6 Data de producție

Data de producție (săptămână, an) este indicată în numărul serial de pe plăcuța cu date constructive:

- Al treilea și al patrulea semn al numărului serial indică anul de producție (două poziții).
- A cincea și a șasea poziție a numărului serial indică săptămâna de producție (din 01 până la 52).

## 3.7 Durata de depozitare

- Durata de depozitare: 2 ani de la data de fabricație

## 3.8 Durata de viață

Durata de viață preconizată a produsului este de 15 ani la respectarea reglementărilor privind transportul, depozitarea, asamblarea și funcționarea.

## 4 Asamblare

### 4.1 Verificarea setului de livrare

| Număr | Componenta                               |
|-------|--|
| 1     | Boiler de apă caldă                      |
| 1     | Suportul aparatului                      |
| 1     | Supapă de siguranță                      |
| 4     | Șuruburi                                 |
| 4     | Dibluri                                  |
| 4     | Șaibe                                    |
| 1     | Distanțier                               |
| 1     | Șurub de reglare                         |
| 1     | Conductă de purjare                      |
| 1     | Instrucțiuni de exploatare               |
| 1     | Instrucțiuni de instalare și întreținere |

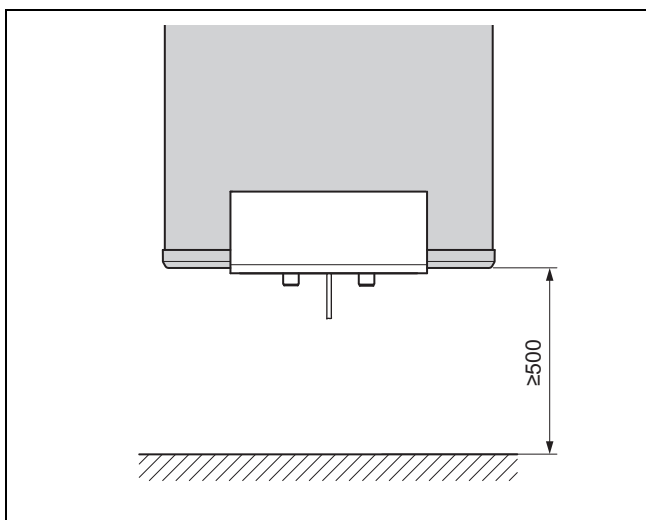
## 4.2 Cerințe legate de locul de instalare

- ▶ Alegeți spațiul pentru montaj astfel încât ghidarea conductelor să poată fi realizată corespunzător.
- ▶ Montați aparatul în camere uscate, ferite în permanență de îngheț.
- ▶ Asigurați-vă că peretele este plan, vertical și stabil.
- ▶ Asigurați-vă că forța portantă a peretelui, precum și cea a diblurilor și șuruburilor, este suficientă pentru a susține greutatea operațională a aparatului.
- ▶ Asigurați-vă că diblurile și șuruburile sunt adecvate pentru perete.

## 4.3 Cerințe privind instalația electrică a spațiului pentru montaj

- ▶ Asigurați-vă că aparatul poate fi montat în afara zonelor de protecție de la 0 până la 2.
- ▶ Asigurați-vă că locuința este echipată cu un cablu de împământare.
- ▶ Asigurați-vă că rețeaua electrică este adecvată pentru aparat.
  - Tensiune: 230 V/50 Hz
- ▶ Asigurați-vă că întrerupătorul de protecție a cablului este adecvat pentru curentul de măsurare.
  - Curent de măsurare: 16 A

## 4.4 Respectarea distanțelor minime



- ▶ Păstrați distanțele minime în timpul montajului.

## 4.5 Montarea produsului

1. La montare, respectați lungimea cablurilor electrice, distanțele minime față de perete, podea și plafon și zona de protecție permisă.

**Condiție:** Perete din bolțari cu golire

- ▶ Montați aparatul utilizând o structură de susținere specială.
2. Pe baza greutății operaționale a aparatului și a structurii suprafeței de montare, stabiliți materialul de fixare, de exemplu, diblurile și șuruburile.
  3. Asigurați-vă că diblurile și șuruburile sunt adecvate pentru suprafața de montare a aparatului.
  4. Utilizați șablonul de montaj care este tipărit pe ambalaj.

5. Executați găurile.
6. Introduceți diblurile în găuri și înșurubați șuruburile.
  - Distanța dintre șurub și perete:  $\approx 30$  mm
7. Suspențați suportul aparatului.
8. Montați distanțierul pe perete cu un șurub la capătul inferior al boilerului.
9. Aliniați aparatul paralel cu peretele cu ajutorul șurubului de reglare.
10. Aliniați suportul aparatului pe verticală și strângeți ferm șuruburile.
11. Suspențați aparatul cu ajutorul cârligelor din suportul aparatului.

## 4.6 Instalarea produsului

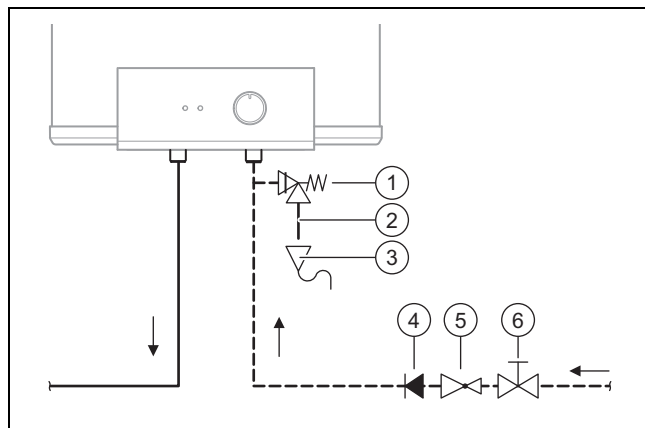


### Atenționare!

### Pericol pentru sănătate din cauza impurităților din apa potabilă!

Resturile de garnituri, murdărie sau alte reziduuri din conducte pot reduce calitatea apei potabile.

- ▶ Spălați temeinic conductele de apă rece și apă caldă înainte de a instala aparatul.



- |   |                              |   |                                 |
|---|------------------------------|---|---------------------------------|
| 1 | Supapă de siguranță          | 4 | Supapă de reținere (opțională)  |
| 2 | Conductă de purjare          | 5 | Reductor de presiune (opțional) |
| 3 | Pâlnie de golire (opțională) | 6 | Robinet                         |

1. Instalați componentele (1) până la (6) conform figurii.
2. Instalați dispozitivul de siguranță cât mai aproape de intrarea apei reci a aparatului.
3. Instalați conducta de scurgere cu o înclinare constantă.
4. Mențineți o distanță între conducta de purjare a supapei de siguranță și pâlnia de golire, astfel încât conducta de scurgere să fie deschisă către aerul liber.
  - Distanță:  $\geq 20$  mm
5. Asigurați-vă că conducta de scurgere are cel puțin același diametru ca și conducta de purjare a supapei de siguranță.
6. În cazul unei presiuni de racordare prea mari, montați un reductor de presiune.

- Presiune de racordare:  $\geq 0,6$  MPa
- Reglarea presiunii: 0,3 to 0,4 MPa

## 5 Instalația electrică

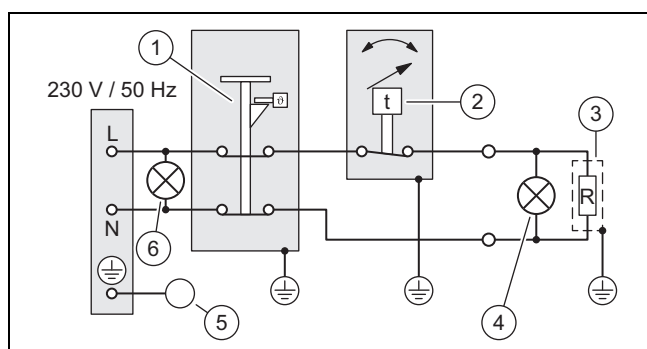
Instalația electrică poate fi realizată numai de către personalul calificat de specialitate pentru instalații electrice.

### 5.1 Conectarea produsului

- Asigurați-vă că nu racordați aparatul la rețeaua electrică înainte de a-l pune în funcțiune.
- Pentru racordarea aparatului, utilizați cabluri H 05 VV-F 3 G 1,0 mm<sup>2</sup>.
- Decuplați alimentarea electrică.
- Verificați lipsa tensiunii.
- Asigurați împotriva reconectării alimentarea cu curent electric.
- Împământați boilerul pentru apă caldă.
- Nu utilizați conducte din țevă pentru împământare.
- Asigurați circuitul electric cu un întrerupător de protecție a cablului.
  - Curent de măsurare:  $\geq 16$  A
- Opriiți întrerupătorul de protecție a cablului.
- Racordați cablurile electrice de conectare.

#### 5.1.1 Racordarea cablurilor electrice de conectare

##### 5.1.1.1 Racord monofazat 230 V ~



- |   |                                |   |                                |
|---|--------------------------------|---|--------------------------------|
| 1 | Limitator termic de siguranță  | 4 | LED pentru încălzire           |
| 2 | Termostatul                    | 5 | Împământare                    |
| 3 | Element de încălzire de 1,8 kW | 6 | LED pentru tensiunea din rețea |

## 6 Prima punere în funcțiune

Prima punere în funcțiune poate fi efectuată numai de către serviciul de asistență tehnică.

### 6.1 Punerea în funcțiune

- Deschideți robinetul de apă rece.
- Deschideți robinetele de apă caldă.
- Așteptați până când începe să curgă apă din robinetele de apă caldă.
- Închideți robinetele de apă caldă.
- Verificați supapa de siguranță, deschizând robinetul de golire al supapei de siguranță.
  - ◁ Din robinetul de golire trebuie să curgă apă.
- Verificați etanșeitarea tuturor conductelor.
- Porniți întrerupătorul principal.
- Conectați întrerupătorul de protecție a cablului.



#### Pericol!

#### Pericol de moarte cauzat de Legionella!

Legionella se dezvoltă la temperaturi sub 60 °C.

- ▶ Asigurați-vă de faptul că exploatatorul cunoaște toate măsurile de protecție antilegionella pentru a îndeplini indicațiile valabile privind profilaxia Legionella.

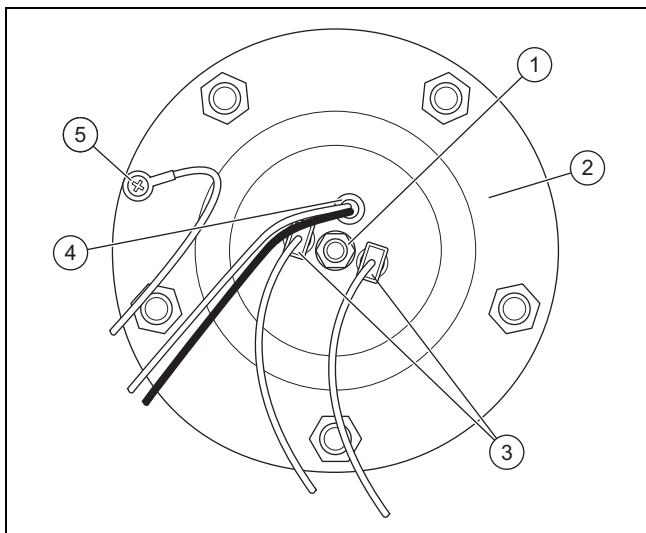
- Setați temperatura la valoarea dorită.
  - Intervalul de temperatură: 10 to 75 °C
  - ◁ Simbolul de încălzire rămâne aprins până când se atinge temperatura apei.
- Înainte de a comuta aparatul în regimul normal de funcționare, așteptați să se încheie perioada de încălzire.

## 7 Predarea aparatului către utilizator

- ▶ Instruiți utilizatorul privind manevrarea aparatului. Răspundeți la toate întrebările acestuia. Puneți accentul pe instrucțiunile de siguranță pe care utilizatorul trebuie să le respecte.
- ▶ Explicați utilizatorului poziția și funcționarea dispozitivelor de siguranță.
- ▶ Pentru a evita opărirea, informați utilizatorul cu privire la posibilitățile de limitare a temperaturii apei calde la punctul de consum.
- ▶ Informați utilizatorul privind necesitatea întreținerii aparatului conform intervalelor indicate.
- ▶ Predați utilizatorului spre păstrare toate instrucțiunile și documentația aparatului prevăzută pentru acesta.

## 8 Întreținerea

### 8.1 Verificarea anodului de magneziu



- |                                       |                        |
|---------------------------------------|------------------------|
| 1 Șurub pentru elementul de încălzire | 3 Element de încălzire |
| 2 Flanșă cu piulițe cu cap hexagonal  | 4 Termostatul          |
|                                       | 5 Cablu de împământare |

1. Scoateți produsul de sub tensiune. (→ pagina 41)
2. Goliți aparatul. (→ pagina 41)

#### Scoaterea flanșei

3. Deșurubați capacul flanșei.
4. Deșurubați cablul de împământare de la flanșă.
5. Scoateți fișele de la elementul de încălzire.
6. Scoateți termostatul.
7. Deșurubați piulițele cu cap hexagonal ale flanșei.
8. Scoateți flanșa în poziție dreaptă din rezervorul de stocare.

#### Înlocuirea anodului de magneziu

9. Înlocuiți anodul de magneziu, dacă acesta este puternic consumat.
  - Evacuare: 60 %

#### Montarea flanșei

10. Înlocuiți garnitura flanșei.
11. Înșurubați flanșa.
12. Înșurubați cablul de împământare.
13. Introduceți termostatul în orificiul prevăzut.
14. Cuplați fișele la elementul de încălzire.
15. Înșurubați ferm capacul pe aparat.
16. Puneți aparatul în funcțiune. (→ pagina 40)

### 8.2 Verificarea rezervorului intern și a componentelor cu privire la depunerile de calcar

1. Scoateți produsul de sub tensiune. (→ pagina 41)
2. Goliți aparatul. (→ pagina 41)
3. Scoateți flanșa. (→ pagina 41)
4. Dacă este cazul, curățați rezervorul intern cu produse de decalcifiere sau răzuindu-l cu atenție cu un bețișor de lemn.
5. Montați flanșa. (→ pagina 41)
6. Înlocuiți componentele, dacă este cazul.
7. Puneți aparatul în funcțiune. (→ pagina 40)

## 9 Recunoașterea și remedierea erorilor

### 9.1 Înlocuirea termostatului defect

1. Scoateți produsul de sub tensiune. (→ pagina 41)
2. Desfaceți șuruburile de la capacul flanșei.
3. Scoateți termostatul defect.
4. Introduceți noul termostat în orificiul prevăzut.
5. Înșurubați ferm capacul pe aparat.
6. Puneți aparatul în funcțiune. (→ pagina 40)

### 9.2 Înlocuirea elementului de încălzire defect

1. Scoateți produsul de sub tensiune. (→ pagina 41)
2. Goliți aparatul. (→ pagina 41)
3. Scoateți flanșa. (→ pagina 41)
4. Deșurubați elementul de încălzire defect de la flanșă.
5. Înșurubați pe flanșă noul element de încălzire.
6. Montați flanșa. (→ pagina 41)
7. Puneți aparatul în funcțiune. (→ pagina 40)

### 9.3 Prezentarea generală a mesajelor de eroare și de avarie

Afișajul cu LED-uri pentru avarii și erori (→ pagina 44)

## 10 Dezafectare

### Scoaterea aparatului de sub tensiune



#### Pericol!

#### Pericol de electrocutare

Există pericol de electrocutare la lucrările asupra componentelor electrice cu conexiune la rețeaua de joasă tensiune.

- ▶ Decuplați produsul de la alimentarea electrică.
- ▶ Asigurați produsul contra repornirii.
- ▶ Verificați produsul să nu aibă tensiune.
- ▶ Deschideți produsul numai fără tensiune.

- ▶ Desprindeți cablurile de racordare la rețea.

#### Golirea aparatului

1. Închideți robinetul de apă rece.
2. Deschideți un robinet de apă caldă care este racordat la aparat.

3. Desfaceți racordul țevii de apă rece de la aparat.
4. Goliți boilerul pentru apă caldă prin intermediul țevii de apă rece a aparatului.

#### **Demontarea aparatului**

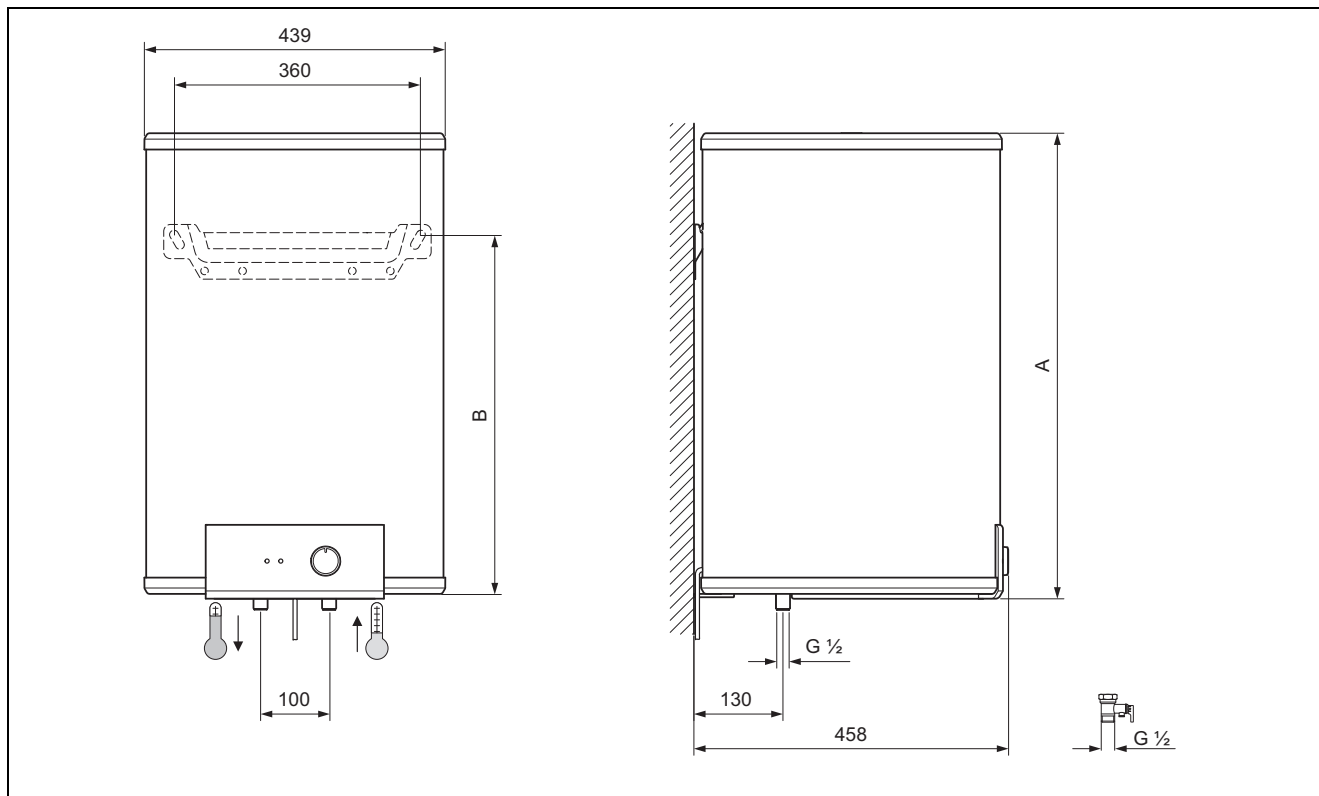
5. Demontați conducta de apă rece sau apă caldă.
6. Desfiletați șuruburile.
7. Ridicați aparatul și scoateți-l de pe perete.
8. Scoateți șuruburile din perete.

## **11 Serviciul de asistență tehnică**

Datele de contact pentru serviciul nostru de asistență tehnică sunt disponibile pe verso, sub adresă.

## Anexă

### A Dimensiuni și desen cotat



#### Dimensiuni

|                 | A      | B      |
|-----------------|--------|--------|
| DT4-B 50 INT II | 555 mm | 408 mm |
| DT4-B 65 INT II | 680 mm | 533 mm |
| DT4-B 80 INT II | 805 mm | 658 mm |

### B Date tehnice

|                 | Volum de umplere | Greutate operațională | Greutate proprie | Putere | Tensiune de alimentare la rețea |
|-----------------|------------------|-----------------------|------------------|--------|---------------------------------|
| DT4-B 50 INT II | 50 l             | 67 kg                 | 17 kg            | 1,8 kW | 230 V                           |
| DT4-B 65 INT II | 65 l             | 85 kg                 | 20 kg            | 1,8 kW | 230 V                           |
| DT4-B 80 INT II | 77 l             | 101 kg                | 24 kg            | 1,8 kW | 230 V                           |

|                 | Clasa de protecție | Tip de protecție |
|-----------------|--------------------|------------------|
| DT4-B 50 INT II | I                  | IP24             |
| DT4-B 65 INT II | I                  | IP24             |
| DT4-B 80 INT II | I                  | IP24             |

## B.1 Date tehnice – Aspecte generale

|                    |                                    |
|--------------------|------------------------------------|
| Termoizolație      | Spumă PU, fără FCKW                |
| Recipient interior | Oțel, emailat, cu anod de magneziu |

## C Afișajul cu LED-uri pentru avarii și erori

| Afișaj   | Cauză                | Remedierea erorilor   |
|--|----------------------|---|
| LED-ul pentru încălzire se aprinde intermitent | eroare neclasificată | Verificați întreaga instalație pentru a identifica componentele defecte.<br>Înlocuiți componenta defectă. |

**Зміст**

|           |   |           |
|-----------|---|-----------|
| <b>1</b>  | <b>Безпека.....</b>   | <b>46</b> |
| 1.1       | Застережні вказівки за типом дій.....   | 46        |
| 1.2       | Використання за призначенням.....   | 46        |
| 1.3       | Загальні вказівки з безпеки.....  | 46        |
| 1.4       | Приписи (директиви, закони, стандарти).....                                   | 48        |
| <b>2</b>  | <b>Вказівки до документації.....</b>  | <b>49</b> |
| 2.1       | Дотримання вимог спільно діючої документації.....                             | 49        |
| 2.2       | Зберігання документації.....  | 49        |
| 2.3       | Сфера застосування посібника.....   | 49        |
| <b>3</b>  | <b>Огляд виробу.....</b>  | <b>49</b> |
| 3.1       | Опис виробу.....  | 49        |
| 3.2       | Паспортна табличка.....   | 49        |
| 3.3       | Маркування CE.....  | 49        |
| 3.4       | Національний знак відповідності України.....                                  | 49        |
| 3.5       | Конструкція.....  | 49        |
| 3.6       | Правила упаковки, транспортування і зберігання.....                           | 49        |
| 3.7       | Дата виготовлення.....  | 49        |
| 3.8       | Термін зберігання.....  | 49        |
| 3.9       | Термін служби.....  | 49        |
| <b>4</b>  | <b>Монтаж.....</b>  | <b>50</b> |
| 4.1       | Перевірка комплекту поставки.....   | 50        |
| 4.2       | Вимоги до місця встановлення.....   | 50        |
| 4.3       | Вимоги до електромонтажу на місці встановлення.....                           | 50        |
| 4.4       | Дотримання мінімальних відстаней.....   | 50        |
| 4.5       | Монтаж виробу.....  | 50        |
| 4.6       | Встановлення виробу.....  | 50        |
| <b>5</b>  | <b>Електромонтаж.....</b>   | <b>51</b> |
| 5.1       | Підключення виробу.....   | 51        |
| <b>6</b>  | <b>Перше введення в експлуатацію.....</b>                                     | <b>51</b> |
| 6.1       | Введення в експлуатацію.....  | 51        |
| <b>7</b>  | <b>Передача виробу користувачу.....</b>                                       | <b>52</b> |
| <b>8</b>  | <b>Технічне обслуговування.....</b>   | <b>52</b> |
| 8.1       | Перевірка магнієвого захисного анода.....                                     | 52        |
| 8.2       | Перевірка внутрішнього резервуара та деталей на предмет утворення накипу..... | 52        |
| <b>9</b>  | <b>Виявлення та усунення несправностей.....</b>                               | <b>52</b> |
| 9.1       | Заміна несправного термостата.....  | 52        |
| 9.2       | Заміна несправного нагрівального елемента.....                                | 52        |
| 9.3       | Огляд повідомлень помилок та несправностей.....                               | 53        |
| <b>10</b> | <b>Виведення з експлуатації.....</b>  | <b>53</b> |
| <b>11</b> | <b>Сервісна служба.....</b>   | <b>53</b> |
|           | <b>Додаток.....</b>   | <b>54</b> |
| <b>A</b>  | <b>Габарити і креслення з розмірами.....</b>                                  | <b>54</b> |
| <b>B</b>  | <b>Технічні характеристики.....</b>   | <b>54</b> |
| B.1       | Технічні характеристики – загальні.....                                       | 55        |

# 1 Безпека

## 1.1 Застережні вказівки за типом дій

### Класифікація застережних вказівок за типом дій

Застережні вказівки за типом дій класифіковані наступним чином: застережними знаками і сигнальними словами щодо ступеня можливої небезпеки, на яку вони вказують:

#### Застережні знаки та сигнальні слова



##### Небезпека!

Безпосередня небезпека для життя або небезпека тяжкого травмування



##### Небезпека!

Небезпека для життя внаслідок ураження електричним струмом



##### Попередження!

Небезпека легкого травмування



##### Обережно!

Вірогідність матеріальних збитків або завдання шкоди навколишньому середовищу

## 1.2 Використання за призначенням

При неналежному використанні або використанні не за призначенням може виникати небезпека для здоров'я та життя користувача або третіх осіб, а також небезпека завдання шкоди виробу та іншим матеріальним цінностям.

Виріб призначений для того, щоб готувати нагріту питну воду для побутових потреб.

– макс. температура гарячої води: 75 °C

При монтажі дозволене лише вертикальне монтажне положення на стіні.

Експлуатація виробу дозволена лише з вбудованою групою безпеки.

До використання за призначенням належить:

– дотримання вимог посібників, що входять до комплекту поставки, з експлуатації, встановлення та технічного обслуговування виробу, а також - інших деталей та вузлів установки

– дотримання всіх наведених в посібниках умов огляду та технічного обслуговування.

Використання виробу на автомобілях, наприклад, пересувних будинках або житлових автомобілях, вважається використанням не за призначенням. Не вважаються транспортними засобами одиниці, що стаціонарно встановлюються на тривалий період (так зване стаціонарне встановлення).

Інше, ніж описане в цьому посібнику використання, або використання, що виходить за межі описаного, вважається використанням не за призначенням. Використанням не за призначенням вважається також будь-яке безпосередньо комерційне та промислове використання.

#### Увага!

Будь-яке неналежне використання заборонено.

## 1.3 Загальні вказівки з безпеки

### 1.3.1 Небезпека у випадку недостатньої кваліфікації спеціаліста

Наступні роботи дозволяється виконувати тільки спеціально навченому кваліфікованому спеціалістові:

- Монтаж
- Демонтаж
- Встановлення
- Введення в експлуатацію
- Огляд та технічне обслуговування
- Ремонт
- Виведення з експлуатації
- ▶ Дійте з урахуванням сучасного технічного рівня.

### 1.3.2 Небезпека для життя внаслідок ураження електричним струмом

При доторканні до струмоведучих вузлів виникає небезпека для життя внаслідок ураження електричним струмом.

Перед початком роботи на виробі:

- ▶ Знеструмте виріб. Це означає від'єднання від усіх джерел електричного живлення (за допомогою електричного розділювального пристрою із зазором контактів не менше 3 мм, наприклад запо-

біжника або лінійного захисного автомата).

- ▶ Унеможливіть повторне увімкнення.
- ▶ Переконайтесь у відсутності напруги.

### 1.3.3 Небезпека опіків та ошпарювання гарячими деталями

- ▶ Починайте роботу з деталями лише тоді, коли вони охолонуть.

### 1.3.4 Небезпека ошпарювання та ризик матеріальних збитків внаслідок витoku гарячої або холодної води

- ▶ Якщо пластмасові труби використовують для підключення гарячої або холодної води виробу, тоді використовуйте лише труби з термостійкістю 95 °C при тиску 1,0 МПа (10 бар).

### 1.3.5 Небезпека матеріальних збитків внаслідок використання неналежного інструмента

- ▶ Використовуйте належний інструмент.

### 1.3.6 Небезпека матеріальних збитків, викликаних морозом

- ▶ Встановлюйте прилад лише в захищених від морозу приміщеннях.

### 1.3.7 Матеріальні збитки внаслідок порушення герметичності

- ▶ Слідкуйте, щоб на трубопроводах підключення не виникало жодних механічних напружень.
- ▶ Не навішуйте на трубопроводи жодних вантажів (наприклад, одягу).

### 1.3.8 Небезпека для життя через відсутні або неправильно встановлені деталі групи безпеки

Відсутні або неправильно встановлені деталі групи безпеки (наприклад, запобіжний клапан, клапан блокування зворотного потоку, редуктор тиску) можуть спричинити небезпечні для життя опіки або інші травми.

- ▶ Встановіть необхідні деталі групи безпеки.
- ▶ Не встановлюйте гідравлічне приладдя між групою безпеки та трубопроводом

холодної води накопичувача гарячої води.

- ▶ Поясніть користувачеві принцип роботи та розташування групи безпеки.

### 1.3.9 Матеріальні збитки внаслідок непридатної поверхні для монтажу

Монтажна поверхня повинна бути рівною та мати достатню несучу здатність для робочої ваги виробу. Нерівність монтажної поверхні може призвести до негерметичності виробу.

При недостатній несучій здатності виріб може від'єднатися та впасти.

Порушення герметичності, яке виникає при цьому, може становити небезпеку для життя.

- ▶ Переконайтесь, що виріб рівно прилягає всією площею до монтажної поверхні.
- ▶ Переконайтесь у достатній несучій здатності монтажної поверхні для робочої ваги виробу.

### 1.3.10 Занадто високий тиск води

Занадто високий тиск води може пошкодити виріб і спричинити у результаті травми.

**Чинність:** Виріб з номінальним надлишковим тиском > 6 бар

- ▶ Встановіть регулятор тиску максимально близько до входу холодної води виробу.
- ▶ Враховуйте особливі властивості регулятора тиску, а також особливості встановлення.
- ▶ Встановіть додаткову групу безпеки максимально близько до входу холодної води виробу.
  - Необхідні компоненти групи безпеки: Запобіжний клапан, запірний клапан, зворотній клапан і випускний канал
- ▶ Встановіть випускний канал так над лінійкою стічного трубопроводу, щоб випускний канал залишався відкритим до атмосфери.
- ▶ Монтуйте стічний трубопровід у середовищі, що не замерзає, з постійним нахилом до стоку.



- ▶ Повідомте користувачеві про потребу постійно вручну перевіряти функцію запобіжного клапана.

#### **1.3.11 Запобіжний клапан**

- ▶ Під час експлуатації з запобіжного клапана з запобіжного клапана може скрапувати гаряча вода.
- ▶ Запобіжний клапан повинен залишатися відкритим у атмосферу.

#### **1.3.12 Заміна пошкодженого мережного кабелю**

- ▶ Якщо мережний кабель цього виробу пошкоджений, виконувати заміну кабелю повинен виробник, його сервісна служба або особа з аналогічною кваліфікацією, щоб уникнути можливих небезпек.

#### **1.3.13 Небезпека!**

- ▶ Перед монтажем прочитайте посібник зі встановлення!
- ▶ Перед введенням в експлуатацію прочитайте посібник з експлуатації!
- ▶ Дотримуйтеся вказівок з технічного обслуговування, наведених в посібнику з експлуатації!

#### **1.4 Приписи (директиви, закони, стандарти)**

- ▶ Дотримуйтеся вимог внутрішньодержавних приписів, стандартів, директив, розпоряджень та законів.



## 2 Вказівки до документації

### 2.1 Дотримання вимог спільно діючої документації

- ▶ Обов'язково дотримуйтесь вимог всіх посібників з експлуатації та встановлення, що додаються до вузлів установки.

### 2.2 Зберігання документації

- ▶ Передавайте цей посібник та всю спільно діючу документацію наступному користувачу установки.

### 2.3 Сфера застосування посібника

Ця мовна версія посібника стосується виключно України.

#### Виріб - артикульний номер

|                 |            |
|-----------------|------------|
| DT4-B 50 INT II | 8000031392 |
| DT4-B 65 INT II | 8000031394 |
| DT4-B 80 INT II | 8000031388 |

## 3 Огляд виробу

### 3.1 Опис виробу

Виріб — це Електричний накопичувач гарячої води, закритий.

### 3.2 Паспортна табличка

Паспортна табличка знаходиться на нижній стороні виробу.

На паспортній табличці міститься наступна інформація:

| Дані               | Значення  |
|--------------------|---|
| Серійний №         | для ідентифікації                                     |
| <b>DT4-B XX II</b> | Позначення виробу                                     |
| л                  | Об'єм заповнення                                      |
| Вт                 | Потужність  |
| В                  | Робоча напруга  |
| Гц                 | Частота   |
| МПа (bar)          | Тиск  |
| IP xx              | Ступінь захисту                                       |
| Маркування CE      | Виріб відповідає європейським стандартам й директивам |
| Збірник відходів   | належна утилізація приладу                            |

### 3.3 Маркування CE



Маркування CE документально підтверджує відповідність виробів згідно з Декларацією про відповідність основним вимогам діючих директив.

Декларацію про відповідність можна проглянути у виробника.

## 3.4 Національний знак відповідності України



Маркування національним знаком відповідності виробу свідчить його відповідність вимогам Технічних регламентів України.

## 3.5 Конструкція

Зовні накопичувач має теплоізоляцію. Резервуар накопичувача виготовлений з емальованої сталі. Всередині резервуара знаходяться нагрівальні елементи, що здійснюють теплообмін. У якості додаткового захисту від корозії резервуар оснащений магнієвим захисним анодом.

## 3.6 Правила упаковки, транспортування і зберігання

Вироби поставляються в упаковці підприємства-виробника.

Вироби транспортуються автомобільним, водним і залізничним транспортом відповідно до правил перевезення вантажів, що діють на конкретному виді транспорту. При транспортуванні необхідно передбачити надійне закріплення виробів від горизонтальних і вертикальних переміщень.

Невстановлені вироби зберігаються в упаковці підприємства-виробника. Зберігати вироби необхідно в закритих приміщеннях з природною циркуляцією повітря в стандартних умовах (неагресивне середовище без пилу, температура зберігання від -10 °C до +37 °C, вологість повітря до 80 %, без ударів і вібрацій).

## 3.7 Дата виготовлення

Дата виготовлення (тиждень, рік) вказані в серійному номері на паспортній табличці:

- третій і четвертий знак серійного номера вказують рік виробництва (у двозначному форматі).
- п'ятий і шостий знак серійного номера вказують тиждень виробництва (від 01 до 52).

## 3.8 Термін зберігання

- Термін зберігання: 2 роки від дати виготовлення

## 3.9 Термін служби

За умови дотримання приписів щодо транспортування, зберігання, монтажу і експлуатації, очікуваний термін служби виробу складає 15 років зі дня встановлення.

## 4 Монтаж

### 4.1 Перевірка комплекту поставки

| Кількість | Деталь  |
|-----------|---|
| 1         | Накопичувач гарячої води                              |
| 1         | Тримач  |
| 1         | Запобіжний клапан                                     |
| 4         | Гвинти  |
| 4         | Дюбелі  |
| 4         | Шайби-підкладки                                       |
| 1         | Розпірка  |
| 1         | Регулювальний гвинт                                   |
| 1         | Випускний канал                                       |
| 1         | Посібник з експлуатації                               |
| 1         | Посібник зі встановлення та технічного обслуговування |

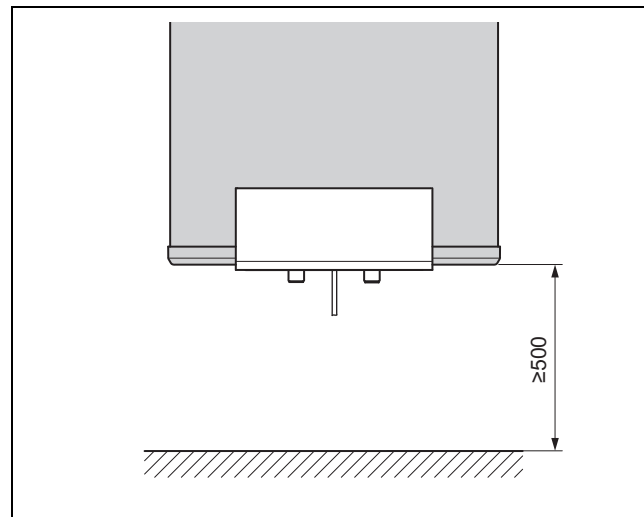
### 4.2 Вимоги до місця встановлення

- ▶ Вибирайте місце встановлення таким чином, щоб до нього можна було доцільно підвести трубопроводи.
- ▶ Встановлюйте виріб лише в повністю захищених від замерзання та сухих приміщеннях.
- ▶ Переконайтеся, що стіна рівна, вертикальна і стійка.
- ▶ Переконайтеся, що носівна здатність стіни, а також дюбелів та гвинтів достатня, щоб витримати робочу вагу виробу.
- ▶ Переконайтеся, що дюбелі та гвинти придатні для стіни.

### 4.3 Вимоги до електромонтажа на місці встановлення

- ▶ Переконайтеся, що виріб можна монтувати за межами захисної ділянки від 0 до 2.
- ▶ Переконайтеся, що квартиру оснащено проводом заземлення.
- ▶ Переконайтеся, що електрична мережа придатна для виробу.
  - Напруга: 230 В/50 Гц
- ▶ Переконайтеся, що лінійний захисний автомат придатний для виміряного струму.
  - Вимірний струм: 16 А

### 4.4 Дотримання мінімальних відстаней



- ▶ При монтажі дотримуйтеся мінімальних відстаней.

### 4.5 Монтаж виробу

1. Враховуйте при монтажі довжину електричного проводу, мінімальні відстані до стіни, підлоги та стелі і дозволений захисний діапазон.

**Умова:** Стіна з порожнистих блоків

- ▶ Монтуйте виріб зі спеціальною носівною конструкцією.
2. Визначте на основі робочої ваги виробу та характеристик монтажної поверхні матеріал кріплення, наприклад, дюбелі та гвинти.
  3. Переконайтеся, що дюбелі та гвинти придатні для монтажної поверхні виробу.
  4. Використовуйте монтажний шаблон, надрукований на упаковці.
  5. Просвердліть отвори.
  6. Вставте дюбелі в отвори і закрутіть гвинти.
    - Відстань від гвинта до стіни:  $\approx 30$  мм
  7. Навісьте тримач приладу.
  8. Монтуйте розпірку з гвинтом на нижньому кінці накопичувача на стіні.
  9. Вирівняйте виріб за допомогою регулювального гвинта паралельно до стіни.
  10. Вирівняйте тримач приладу вертикально та пригвинтіть гвинти.
  11. Підвісьте виріб гачками у тримач приладу.

### 4.6 Встановлення виробу

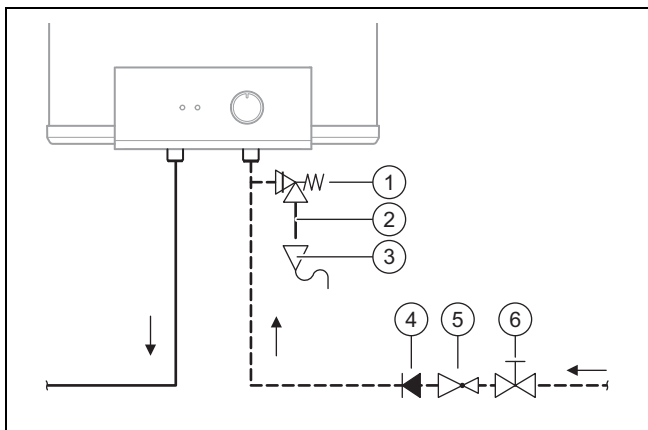


#### Попередження!

**Небезпека негативного впливу на здоров'я забрудненої питної води!**

Залишки ущільнювача, бруд або інший осад у трубопроводі можуть погіршити якість питної води.

- ▶ Перед встановленням виробу ретельно промийте всі трубопроводи холодної та гарячої води.



- |   |                          |   |   |
|---|--------------------------|---|---|
| 1 | Запобіжний клапан        | 4 | Клапан блокування зворотного потоку (додатково) |
| 2 | Випускний канал          | 5 | Редуктор тиску (додатково)                      |
| 3 | Стічна лійка (додатково) | 6 | Запірний клапан                                 |

1. Встановіть компоненти від (1) до (6), як показано на малюнку.
2. Встановіть захисні пристосування якомога ближче до входу холодної води виробу.
3. Встановіть стічний трубопровід з постійним нахилом.
4. Дотримуйтеся відстані між випускним каналом запобіжного клапана та стічною лійкою, щоб стічний трубопровід був атмосферно відкритий.
  - Відстань:  $\geq 20$  мм
5. Переконайтеся, що стічний трубопровід має принаймні такий самий діаметр, що й випускний канал запобіжного клапана.
6. Якщо приєднувальний тиск занадто високий, встановіть редуктор тиску.
  - Приєднувальний тиск:  $\geq 0,6$  МПа
  - Налаштування тиску: 0,3 to 0,4 МПа

## 5 Електромонтаж

Роботи з електромонтажу повинні виконуватись тільки кваліфікованими електриками.

### 5.1 Підключення виробу

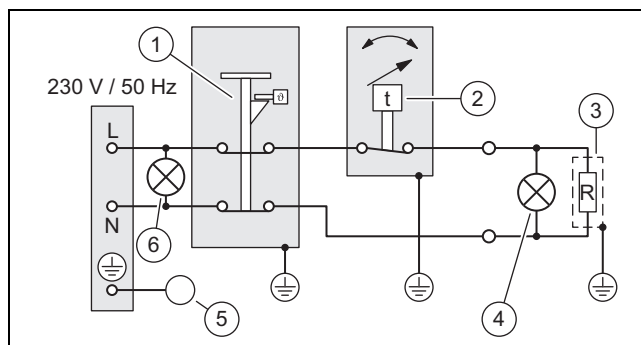
1. Переконайтеся, що виріб перед введенням у експлуатацію не підключений до електричної мережі.
2. Використовуйте для підключення виробу провід N 05 VV-F 3 G 1,0 mm<sup>2</sup>.
3. Вимкніть подачу живлення.
4. Переконайтесь у відсутності напруги.
5. Унеможливіть повторне увімкнення живлення.
6. Заземліть накопичувач гарячої води.
7. Не використовуйте трубопроводи для заземлення.
8. Встановіть у контур струму лінійний захисний автомат.

– Вимірний струм:  $\geq 16$  А

9. Вимкніть лінійний захисний автомат.
10. З'єднайте електричний провід підключення.

### 5.1.1 З'єднання електричних проводів підключення

#### 5.1.1.1 Підключення однофазне 230 V ~



- |   |                                  |   |                                  |
|---|----------------------------------|---|----------------------------------|
| 1 | Запобіжний обмежувач температури | 4 | Індикатор нагрівання температури |
| 2 | Термостат                        | 5 | Заземлення                       |
| 3 | Нагрівальний елемент 1,8 кВт     | 6 | Індикатор електричної напруги    |

## 6 Перше введення в експлуатацію

Перше введення в експлуатацію може виконувати лише сервісна служба.

### 6.1 Введення в експлуатацію

1. Відкрийте запірний кран холодної води.
2. Відкрийте крани гарячої води.
3. Зачекайте, доки вода витече з кранів гарячої води.
4. Закрийте крани гарячої води.
5. Перевірте запобіжний клапан, відкривши зливний кран запобіжного клапану на короткий час.
  - ◁ Зі зливного крану повинна витікати вода.
6. Перевірте всі з'єднання труб на герметичність.
7. Увімкніть головний вимикач.
8. Увімкніть лінійний захисний автомат.



#### Небезпека!

#### Небезпека для життя через легіонели!

Розмноження легіонел відбувається при температурі нижче 60°C.

- Переконайтесь, що користувачу відомі всі заходи із термічної дезінфекції і що він може виконувати всі діючі вимоги з профілактики розвитку легіонел.

9. Налаштуйте температуру насоса на бажане значення.

- Діапазон температур: 10 to 75 °C
- ◁ Символ нагрівання світиться, доки не буде досягнута температура води.

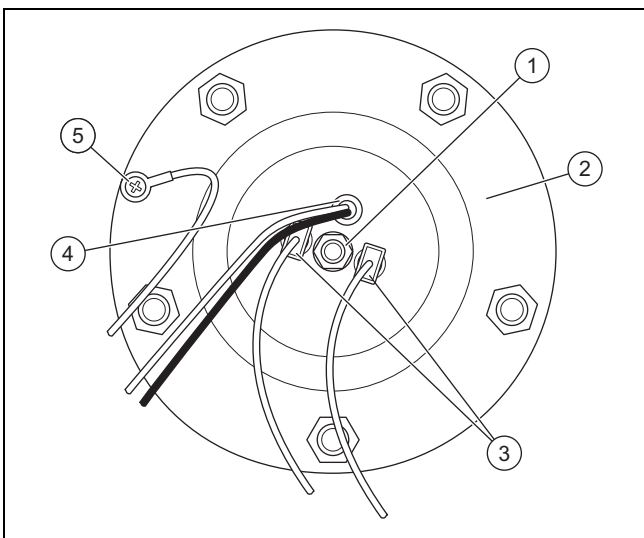
10. Зачекайте до кінця часу прогрівання, перед тим як вводити виріб у нормальний режим експлуатації.

## 7 Передача виробу користувачу

- ▶ Поясніть користувачу правила поведінки з виробом. Дайте відповідь на всі його питання. Особливо зверніть увагу користувача на вказівки з безпеки, яких він повинен дотримуватися.
- ▶ Поясніть користувачеві розташування та принцип роботи захисних пристосувань.
- ▶ Поясніть користувачеві можливості обмеження температури гарячої води на точці відбору для запобігання ошпарюванню.
- ▶ Поясніть користувачеві, що необхідно проводити технічне обслуговування виробу із зазначеною періодичністю.
- ▶ Передайте користувачеві всі призначені для нього посібники та документацію на прилад.

## 8 Технічне обслуговування

### 8.1 Перевірка магнієвого захисного анода



- |   |                                 |   |                      |
|---|---------------------------------|---|----------------------|
| 1 | Гвинт нагрівального елемента    | 3 | Нагрівальний елемент |
| 2 | Фланець з шестигранними гайками | 4 | Термостат            |
|   |                                 | 5 | Провід заземлення    |

1. Перемкніть знеструмлений виріб. (→ сторінка 53)
2. Спорожніть виріб. (→ сторінка 53)

#### Видалення фланця

3. Відгвинтіть кришку фланця.
4. Відгвинтіть провід заземлення з фланця.
5. Від'єднайте штекер від нагрівального елемента.
6. Вийміть термостат.
7. Відгвинтіть шестигранну гайку фланця.
8. Витягніть фланець прямо з бака накопичувача.

### Заміна магнієвого захисного аноду

9. Міняйте магнієвий захисний анод, коли він сильно зносився.
  - Зношення: 60 %

#### Монтаж фланця

10. Замініть ущільнення фланця.
11. Пригвинтіть фланець.
12. Пригвинтіть провід заземлення.
13. Вставте термостат у передбачений отвір.
14. Підключіть штекери до нагрівального елемента.
15. Пригвинтіть обшивку виробу.
16. Введіть виріб в експлуатацію. (→ сторінка 51)

### 8.2 Перевірка внутрішнього резервуара та деталей на предмет утворення накипу

1. Перемкніть знеструмлений виріб. (→ сторінка 53)
2. Спорожніть виріб. (→ сторінка 53)
3. Видаліть фланець. (→ сторінка 52)
4. За потреби очистіть внутрішній резервуар засобами для видалення накипу або обережно пошкребіть дерев'яною паличкою.
5. Монтуйте фланець. (→ сторінка 52)
6. За необхідності замініть деталі.
7. Введіть виріб в експлуатацію. (→ сторінка 51)

## 9 Виявлення та усунення несправностей

### 9.1 Заміна несправного термостата

1. Перемкніть знеструмлений виріб. (→ сторінка 53)
2. Відкрутіть гвинти кришки фланця.
3. Витягніть несправний термостат.
4. Вставте новий термостат у відповідний отвір.
5. Пригвинтіть обшивку виробу.
6. Введіть виріб в експлуатацію. (→ сторінка 51)

### 9.2 Заміна несправного нагрівального елемента

1. Перемкніть знеструмлений виріб. (→ сторінка 53)
2. Спорожніть виріб. (→ сторінка 53)
3. Видаліть фланець. (→ сторінка 52)
4. Викрутіть несправний нагрівальний елемент з фланця.
5. Пригвинтіть новий нагрівальний елемент на фланець.
6. Монтуйте фланець. (→ сторінка 52)
7. Введіть виріб в експлуатацію. (→ сторінка 51)

### 9.3 Огляд повідомлень помилок та несправностей

Світлодіодна індикація несправностей і помилок  
(→ сторінка 55)

## 10 Виведення з експлуатації

### Знеструмлення виробу



#### **Небезпека!**

#### **Ризик ураження електричним струмом**

При виконанні робіт на електричних елементах із підключенням до низьковольтної мережі постає небезпека ураження електричним струмом.

- ▶ Від'єднайте виріб від електроживлення.
- ▶ Унеможливіть повторне увімкнення виробу.
- ▶ Перевірте виріб на відсутність напруги.
- ▶ Відкривати виріб дозволяється, лише якщо він знеструмлений.

- ▶ Послабте мережеві кабелі.

### Спорожнення виробу

1. Перекрийте запірний кран холодної води.
2. Відкрийте кран гарячої води, приєднаний до виробу.
3. Послабте з'єднання трубопроводу холодної води з виробом.
4. Спорожніть накопичувач гарячої води через трубопровід холодної води виробу.

### Демонтаж виробу

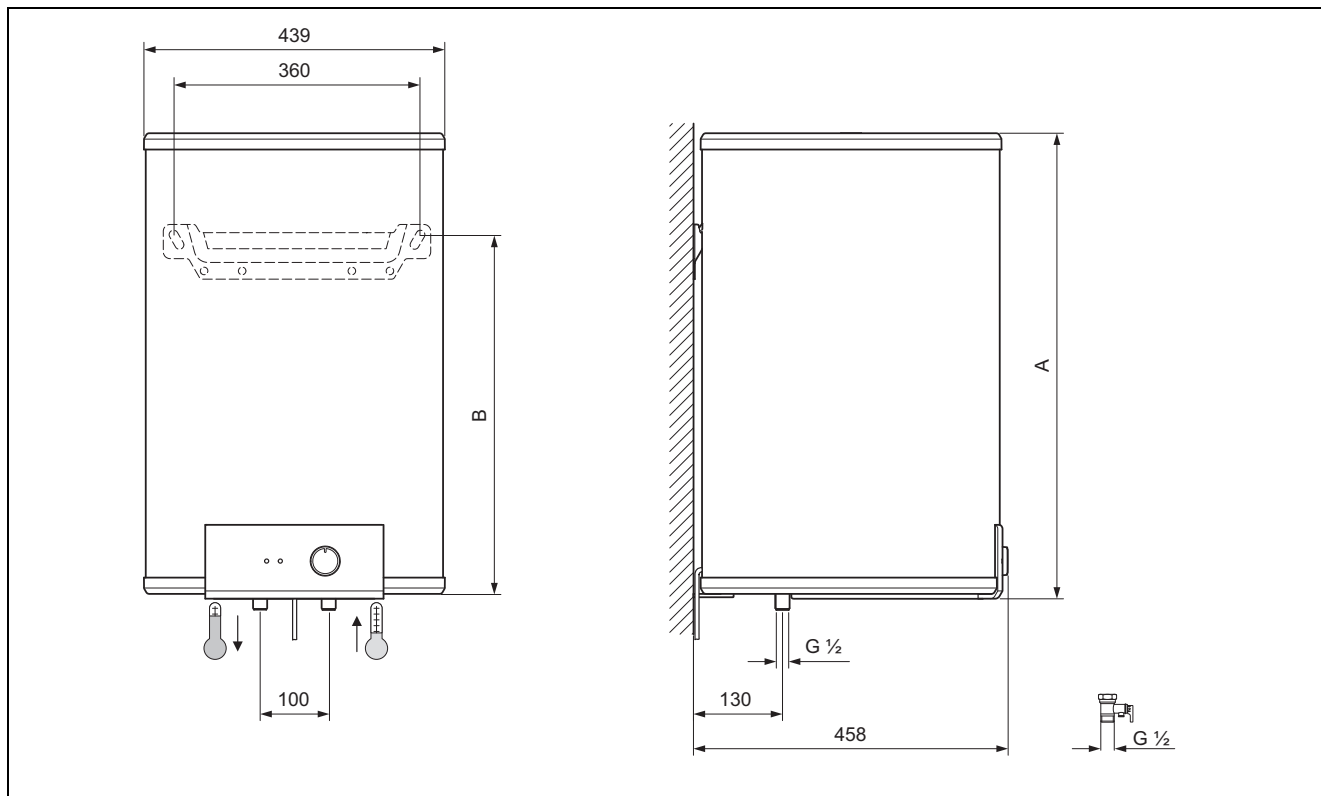
5. Демонтуйте трубопроводи холодної та гарячої води.
6. Послабте гвинти.
7. Підніміть виріб і зніміть його зі стіни.
8. Зніміть гвинти зі стіни.

## 11 Сервісна служба

Контактні дані для вашої сервісної служби див. за адресою, зазначеною на зворотному боці.

## Додаток

### А Габарити і креслення з розмірами



#### Габарити

|                 | A      | B      |
|-----------------|--------|--------|
| DT4-B 50 INT II | 555 мм | 408 мм |
| DT4-B 65 INT II | 680 мм | 533 мм |
| DT4-B 80 INT II | 805 мм | 658 мм |

### В Технічні характеристики

|                 | Обсяг заповнення | Робоча вага | Вага в порожньому стані | Потужність | Мережна напруга |
|-----------------|------------------|-------------|-------------------------|------------|-----------------|
| DT4-B 50 INT II | 50 л             | 67 кг       | 17 кг                   | 1,8 кВт    | 230 В           |
| DT4-B 65 INT II | 65 л             | 85 кг       | 20 кг                   | 1,8 кВт    | 230 В           |
| DT4-B 80 INT II | 77 л             | 101 кг      | 24 кг                   | 1,8 кВт    | 230 В           |

|                 | Клас захисту | Ступінь захисту |
|-----------------|--------------|-----------------|
| DT4-B 50 INT II | I            | IP24            |
| DT4-B 65 INT II | I            | IP24            |
| DT4-B 80 INT II | I            | IP24            |

## **В.1 Технічні характеристики – загальні**

|                      |  |
|----------------------|--|
| Теплоізоляція        | ПУ-піна, не містить фторхлорвуглецю            |
| Внутрішній резервуар | Сталь, емальована, з магнієвим захисним анодом |

## **С Світлодіодна індикація несправностей і помилок**

| <b>Індикація</b>               | <b>Причина</b>          | <b>Усунення несправності</b>  |
|--------------------------------|-------------------------|---|
| Нагрівальний світлодіод блимає | Некласифікована помилка | Перевірте всю систему на наявність дефектних компонентів.<br>Замініть несправний вузол. |

**Supplier**

**Türk DemirDöküm Fabrikaları A.Ş.**

Atatürk Mahallesi Meriç Caddesi No: 1/4 ■ 34758 / Ataşehir – İstanbul ■ Türkiye

Tel. 0216 516 2000 ■ Faks 0216 516 2007

Müşteri iletişim merkezi 0850 2221833

info@demirdokum.com.tr ■ www.demirdokum.com.tr



8000031427\_01



**Publisher/manufacturer**

**TÜRK DEMIRDÖKÜM FABRIKALARI A.S.**

4 Eylül Mah. Osman Rusçuk Cad. No: 5 ■ 11300 / Bozüyük – Bilecik ■ Türkiye

www.demirdokum.com.tr

© These instructions, or parts thereof, are protected by copyright and may be reproduced or distributed only with the manufacturer's written consent. Subject to technical modifications.