



# CALYPSO



CALYPSO is the best-seller of the Ferrol range. Simple, reliable and yet fully equipped.

### ELEMENT

Stainless steel

### RANGE

Vertical 50 - 80 - 100 - 120 - 150

Horizontal 50 - 80 - 100 - 120 - 150

### REGULATION

External for vertical models



## STANDARD FEATURES

As per standard product



5 BOLTS FLANGE



STEEL EPOXY POWDER COATED JACKET



BLUE SILICON ENAMELLING



HIGH LIQUID INTRUSION PROTECTION



OPERATING LIGHT



EXTERNAL REGULATION

\* Only for vertical model

## EXTRA FEATURES

Further customization is possible on factory-tailored production lots



HEAVY-DUTY THERMOSTAT



POWER CABLE AND PLUG



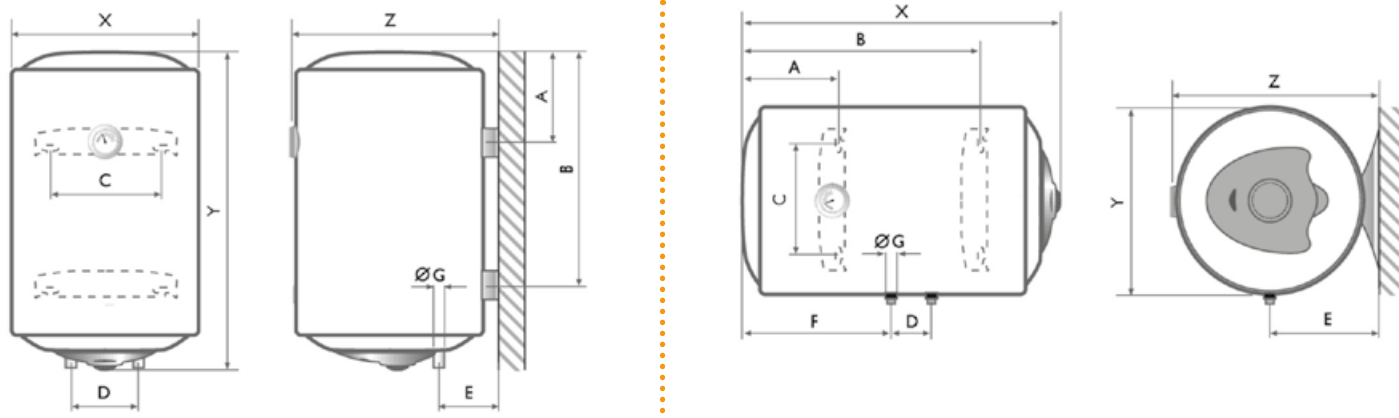
NYLON DIELECTRICS



HIGHER POWER



# DIMENSIONS



Vertical

Max operating pressure: 8 bar  
Voltage: 220~240 V 50-60 Hz

Horizontal

# TECHNICAL DATA

VERTICAL EXECUTION			50 VE	80 VE	100 VE	120 VE	150 VE
Dimensions	X	mm	440	440	440	440	440
	Y	mm	555	755	995	1130	1175
	Z	mm	460	460	460	460	460
	A	mm	185	185	185	190	190
	B	mm	/	/	/	915	955
	C	mm	265	265	265	265	265
	D	mm	100	100	100	100	100
	E	mm	130	130	130	130	130
Capacity		litres	50	80	100	120	150
Power		W	1500	1500	1500	1500	1500
Heating time	ΔT 35° C	minutes	1 h 26'	2 h 18'	2 h 53'	3 h 28'	4 h 19'
	ΔT 45° C	minutes	1 h 51'	2 h 58'	3 h 42'	4 h 27'	5 h 34'
Weight		Kg	16	20,5	25	28,5	29,5

HORIZONTAL EXECUTION			50 HO	80 HO	100 HO	120 HO	150 HO
Dimensions	X	mm	565	770	990	1135	1255
	Y	mm	440	440	440	440	440
	Z	mm	460	460	460	460	460
	A	mm	200	180	200	190	200
	B	mm	345	555	740	915	955
	C	mm	265	265	265	265	265
	D	mm	100	100	100	100	100
	E	mm	230	230	230	230	230
Capacity		litres	50	80	100	120	150
Power		W	1500	1500	1500	1500	1500
Heating time	ΔT 35° C	minutes	1 h 26'	2 h 18'	2 h 53'	3 h 28'	4 h 19'
	ΔT 45° C	minutes	1 h 51'	2 h 58'	3 h 42'	4 h 27'	5 h 34'
Weight		Kg	16	20,5	25	28,5	29,5

Available with 1200 W or 2000 W power