

When leaving home for few hours mind decreasing the temperature set.

Should you be absent for:

- Less than two hours it is not necessary to change the temperature set.
- From 2 to 24 hours you may decrease temperature set with few degrees.
- For a period of more than 24 hours or in summertime – leave the appliance plugged in the network with turned on mechanical switch, but disconnected from the control panel. Thus you shall activate the anti-frost function.

If you have more than one electric convertor in the room you may switch them on simultaneously, thus securing constant temperature without increasing power consumption. It is true also for rooms which are not permanently used – it is better to leave the units switched on at minimum temperature stings than to switch them off completely.

WARRANTY AND WARRANTY CONDITIONS

Warranty term is determined by seller and is in force only for the territory of the country.

Warranty is valid only if the appliance:

- Is installed according to the requirements for installation and operation.
- Is used only as per designed purpose and in accordance with the installation and operation manual.

Warranty consists of free of charge repair of all factory defects, which may arise during the warranty term. Repair is performed by service specialists, authorized by seller.

Warranty is not valid for defects, caused by:

- Improper transportation
- Improper storage
- Improper usage
- Applying different than the nominal appliance's voltage in the electrical network
- Elemental perils, disasters and other force majeure circumstances
- Non observance of the installation and operation manual
- In cases, when a non authorized person has tried to repair any kind of a defect

In the above cases the defect will be repaired against relative payment.

Observance of the present manual requirements is a precondition for a safety operation of the purchased by you product and is one of the warranty conditions.

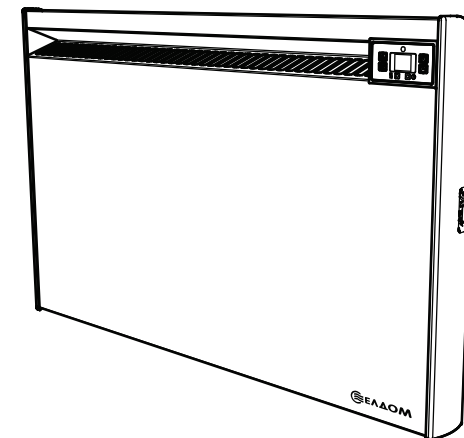
Any alterations or readjustment in the construction of the product, may by the consumer or unauthorized persons, are forbidden. If such actions have been reported this will automatically cause termination of warranty obligations by the manufacturer or seller.

In case of necessity, please contact the authorized by the manufacturer or the seller service centers.

Manufacturer reserves its right to perform construction changes, which do not deteriorate the product safety, without notification.

Manufacturer: ELDOMINVEST Ltd., Varna, Bulgaria
tel.: +359 52 500 349, fax: +359 52 500 347
export@eldominvest.com; www.eldominvest.com

ELECTRIC CONVECTOR HEATER



SPECIFICATIONS INSTALLATION, OPERATION AND MAINTENANCE INSTRUCTIONS MANUAL

**WARNING! Before installing and operating the unit
read carefully the instructions!**

Fig. 1

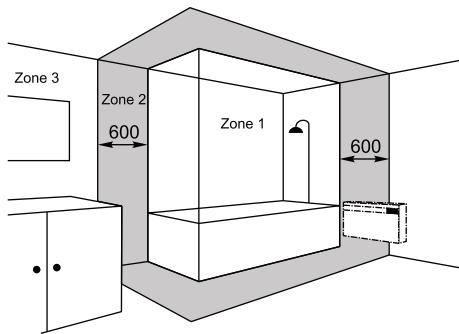
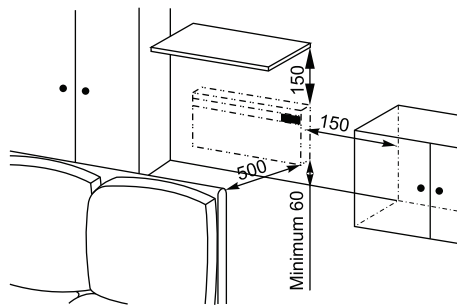


Fig. 2



Minimum distance between the convector, the floor and surrounding objects.

Fig. 3

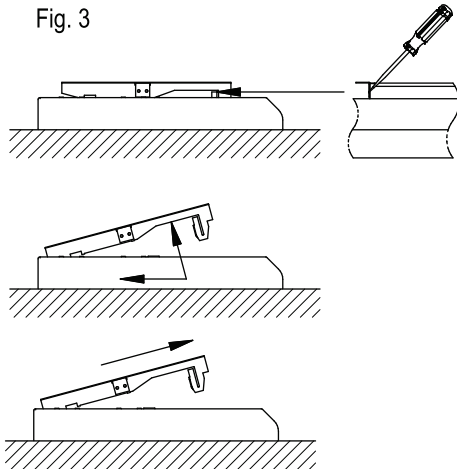


Fig. 4

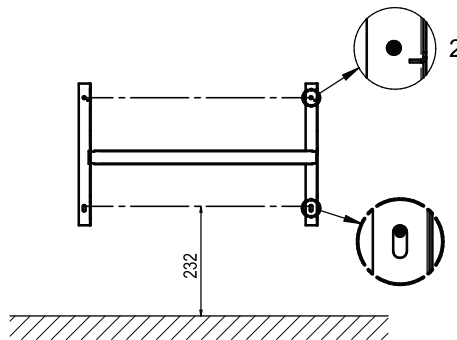


Fig. 5

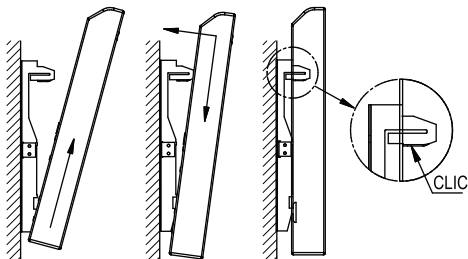
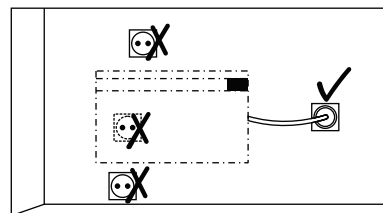


Fig. 6



on. Pressing any other button on the control panel shall just cause the display to show **EH**, without changing any of the parameters set. In order to switch off the 'Children protection' mode the button 5 must be pressed for more than 6 seconds. When the mode is switched off the display shows **EE**.

Anti-shock protection

This protection switches off the heater when the convector is inclined to an angle greater than the switch on angle notwithstanding the mode of operation and the temperature set and temperature measured.

Resetting function for parameters set after outages

This function keeps in the control circuit power independent memory module the settings for temperature, delayed start or stop times and the selected operational mode. These parameters are recorded 5 seconds after pressing a control panel button or elapsing time.

Night lighting mode

This mode is activated when the lighting in the room is lower than the producer pre-set default values. The display and the LED indicators are shining less brightly.

Display shown signs and meanings

EH	Children protection mode on
EE	Children protection mode off
HH	The temperature measured is over 40 °C
RR	The temperature measured is below 5 °C
EH	The temperature gauge signal is invalid
E2	The photocell signal is invalid

SERVICE AND MAINTENANCE



It is compulsory first to switch off the electric convective heater and to take off the plug from the socket!

- In order to keep the unit high performance it is necessary at least once monthly to clean off the dust from its top and bottom grid with a dry cloth, vacuum cleaner or brush.
- Clean the body with a dry cloth, vacuum cleaner or brush.
- Do not use abrasive materials.
- To clean the electric convective heater back side first dismount it from the two brackets in their upper end as shown on fig. 5, so that you can take off the unit and clean it.
- **Warning!** After cleaning the back side it is compulsory to install the convective heater back in its normal position according fig. 5.

ADVISES FOR PROPER USE OF THE ELECTRIC CONVECTOR HEATER

It is not necessary to set the unit in operation at highest temperature, the degrees in the room shall not climb up quicker.


When aerating the room use button 2 to switch off the unit or the clutch of the right side panel.

Turning on and off the appliance in operating mode

Switching the key located on the right side panel (press the key end, marked '1') and pressing the control panel key 2 turns the convector in operating mode. The appliance is turned off in the same manner by using key 2 and pressing the end of the key marked '0'.

WARNING! The side panel key and the control panel key 2 are functional buttons. The convector complete switch off is performed **ONLY** by unplugging the power cable from the socket.

Switch off mode


The display indicates . When this mode is selected the heater does not switch on when the temperature falls below the set one. The only exception is when the temperature falls below 5 °C when the antifreeze function is activated.

Normal operating mode


In this mode the heater maintains the temperature set.

Use button 2 to start the normal operating mode. The current measured temperature is displayed. Use buttons 3 and 4 to change that temperature. The maximum temperature that may be set is 30 °C, while the minimum is 5 °C. Pressing any one of those two buttons shall display the temperature set. If none of the buttons is pressed within 3 seconds, the heater shall memorize the temperature as set temperature and shall display the current temperature in the room.

Delayed start mode

In order to activate this mode the heater must be in 'Switch off mode.' To set this mode use button 5. The yellow indicator 7 switches on and shows on the display , indicating that the heater shall switch into 'Normal operating mode' within an hour. Use buttons 3 or 4 to change with every press that time with one hour. Minimum time is 1 hour, while the maximum is 72 hours. This mode may be switched off when the time is decreased to 0 hours (three seconds later the heater switches to previous mode) or through switching on and off the heater from the control panel.



Delayed stop mode

In order to activate this mode the heater must be in 'Switch on mode.' To set this mode use button 5. The yellow indicator 7 switches on and shows on the display , indicating that the heater shall switch into 'Switch off mode' within an hour. Use buttons 3 or 4 to change with every press that time with one hour. Minimum time is 1 hour, while the maximum is 72 hours. This mode may be switched off when the time is decreased to 0 hours (three seconds later the heater switches to previous mode) or through switching on and off the heater from the control panel.

Antifreeze function

This function switches on automatically the heater when the environmental temperature falls below 5 °C, notwithstanding the selected mode. The only condition is that the heater is plugged in the power supply network and the clutch is in position '1' (On). When activated this function maintains a minimum temperature of 5 °C.


Children protection


Press on button 5 for more than 4 seconds to activate this mode. Because the same button is used to trigger the 'Delayed start' and 'Delayed stop' modes the first four seconds the display shows . However, after the fourth second it displays , thus indicating that the 'Children protection' mode is


SPECIFICATIONS, INSTALLATION, OPERATION AND MAINTENANCE INSTRUCTIONS MANUAL


Before starting the installation of the convector heater and its operation it is advised to read carefully the text of the instructions manual. Observation of the rules is obligatory for safe operation with the appliance and is one of the warranty conditions.


WARNINGS!


 This heater is hot when in use. To avoid burns, do not touch its front surfaces with bare skin when operating or when disconnected before short time.


 This symbol means that covering the heater is prohibited!


 It is absolutely prohibited to place any objects on, under or inside the heater.

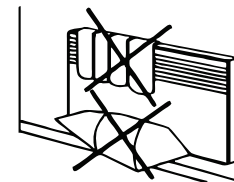
 To avoid overheating, do not cover the heater!

 In case of appliance power cable damage, it must be replaced by the manufacturer, its service agent or a qualified person to avoid a danger.

 Any action within the heater may be completed only by qualified electricians.


 This appliance is not intended for use by persons (including children) with reduced physical, sensory or mental capabilities, or lack of experience and knowledge, unless they have been given supervision or instructions concerning use of the appliance by a person responsible for their safety! Children should be supervised to ensure that they do not play with the appliance!

 Some of this product parts may be very hot and cause burns. Special attention should be provided in presence of children and vulnerable persons. Please read the section "How to use the appliance".



ENVIRONMENT

This appliance is marked in accordance with Directive 2002/96/EC on waste electrical and electronic equipment (WEEE). By ensuring this product is disposed of correctly, you will help prevent potential negative consequences for the environment and human health, which could otherwise be caused by inappropriate waste handling of this product.

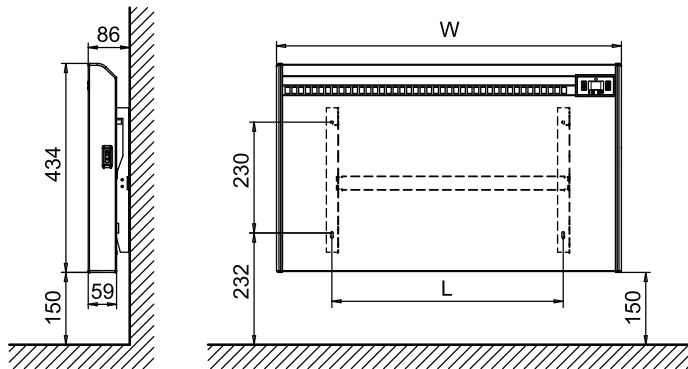
The symbol  on the product, or on the accompanying documents indicates that this appliance may not be treated as household waste. Instead it should be handed over to the applicable collection point for the recycling of electrical and electronic equipment. Disposal must be carried out in accordance with local environmental regulations for waste disposal. For more detailed information about treatment,

recovery and recycling of this product, please contact your local city office, your household waste disposal service or the shop where you purchased the product.

HEATER SPECIFICATIONS

The electric convector heater is a household appliance intended to heat air in living rooms and maintain a specified temperature.

Model	CW1000	CW1500	CW2000	CW2500	CW3000
Power [W]	1000	1500	2000	2500	3000
Length W [mm]	716	816	1016	1166	1226
Height [mm]	434	434	434	434	434
Depth including the hanging stand [mm]	86	86	86	86	86
L [mm]	480	590	790	940	940
Weight [kg]	6	7	9	10	10,5



WARNING! The distance of 150 mm between the convector heater and the floor of the premises is recommended. The minimum distance allowed between the floor and the bottom of the convector is 60 mm. Any violation may reduce the appliance safety.

INSTALLATION

The heater installation must strictly comply with standards and rules in force in the country.



Your convector heater is protected against electricity shocks Class II and is provided with guard against sprinkles (IP24). It may be installed in living rooms, including in premises of Zone 2 for bathing, but in a way that the control panel should NOT be accessible for showering or bathing person, please refer to fig. 1.

When installing the heater please observe the minimum distances from various objects and obstacles as indicated on fig. 2.



Do not install the heater:

- On places with forced traction which may impact control settings (i.e. under apertures for natural or forced ventilation and so on).
- Under, over or in front of sockets (rosettes), please refer to fig. 6.

- When installing the heater on locations of high altitudes take into account that it may impact the temperature of the outlet air (by increasing it with about 10 °C when the altitude changes with 1000 m).

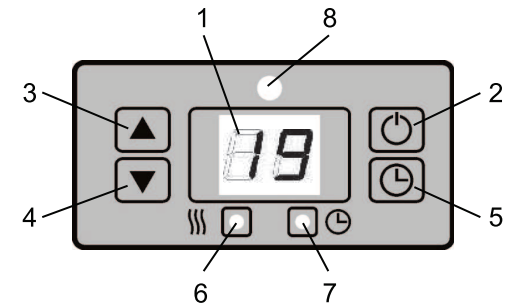
- Take carefully the heater out of its packaging and keep it at a conventional place for any future needs.
- Place the convector with its front to the earth, still keeping on its the protective Styrofoam side panels (fig. 3). All figures are on page two of the manual.
- Detach the holding device as shown on fig. 3.
- Installing the heater on a reinforced concrete or brick masonry wall is carried out by first fastening the holding device to the wall as shown on fig. 4 by using the screws and the wall plugs, supplied with the package.
- Place the heater on the stand as shown on fig. 5.
- The convector power cable may be connected to straight single phase power outlet with a voltage of 220-230 V~. The socket must be located such as to be easily accessible after installing the appliance in working position.
- Earthing the heater is prohibited!

USING THE ELECTRIC CONVECTOR HEATER

WARNING! Children under 3 years should not be allowed close to the appliance, unless they are under constant surveillance.

WARNING! Children of age between 3 and 8 years old should be allowed only to turn on and off the appliance, provided that it is located or installed in its recommended position for normal operation, and children are under surveillance, taught to use the device safely, and understand related hazards. It shall not be allowed for children of age between 3 and 8 years old to switch on the power cable in the socket, to adjust it and clean it, or to perform any scheduled user servicing.

Description of the convector control panel



- | | |
|--|---|
| 1 - Current or set temperature or remaining time in case of delay heater start/stop. | 5 - Switches on delayed start or stop or children protection. |
| 2 - Heater On/Off and normal operation mode. | 6 - Indicator for switched on heater. |
| 3 - Increases the temperature set or the time in case of delayed start/stop. | 7 - Indicator for switched on mode of delayed start or stop. |
| 4 - Decreases the temperature set or the time in case of delayed start/stop. | 8 - Light gauge. |